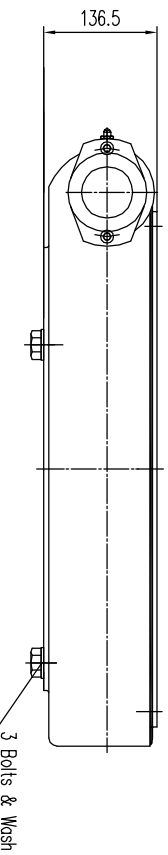
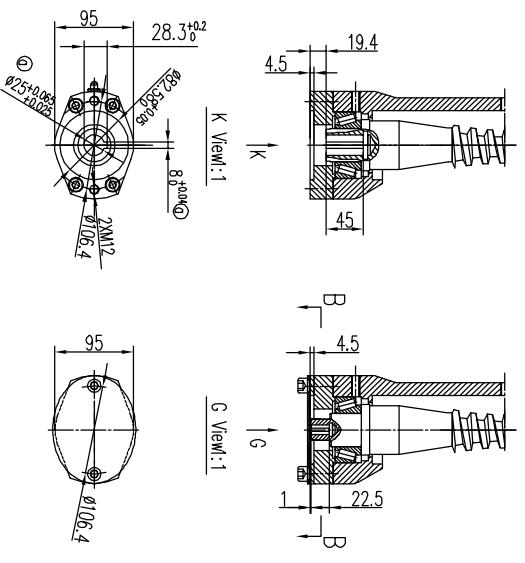
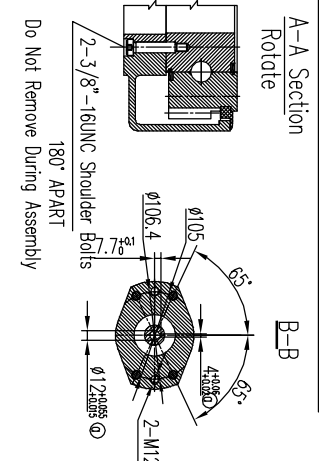
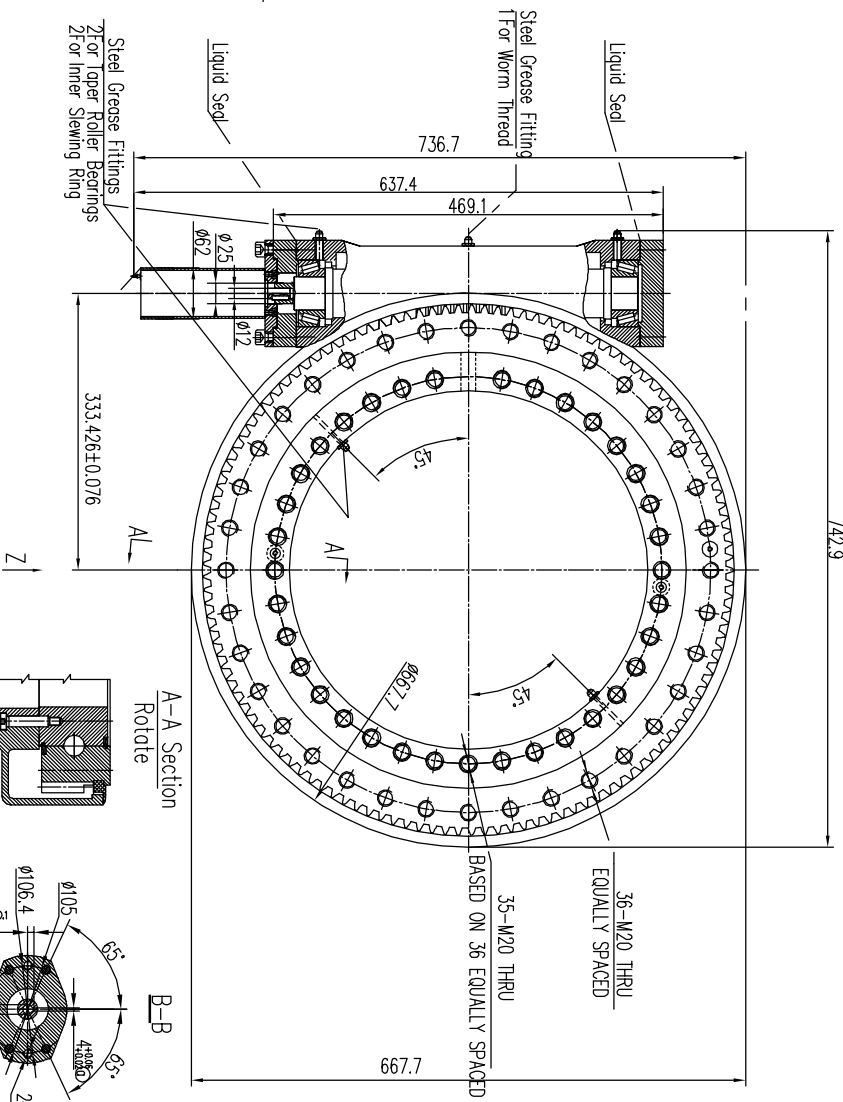


HOURGLASS WORM SLEW DRIVE

1.25:1 Worm Gear Reduction Ratio

X |

X View: 1:1



REV.	DATE	SIGNER	DESCRIPTION
01	08.07.28	LHG	DIMENSIONS FROM 8-1808-29-0005 BE CHANGED INTO 8-1808-29-0005
02	08.07.28	LHG	DIMENSIONS FROM 8-1808-29-0005 BE CHANGED INTO 8-1808-29-0005

ASSEMBLY NOTES

SALE DRAWING

SLEWER(TM)
HOURGLASS SLEW DRIVE

Mark Qty.	Revision	Signer	Date	Step Mark	Weight	Scale
Designer	LHG	Standard	Technology		151kg	1:6
Drawn				Size	A3	Sheet
Checked						1/1
Approved	Date	08.7.17				

www.SlewDrive.com

H-SE21B-125M-24RC-REV.B

THE TOLERANCE NOT MENTIONED IS REFERRED TO ASMTY45-1994