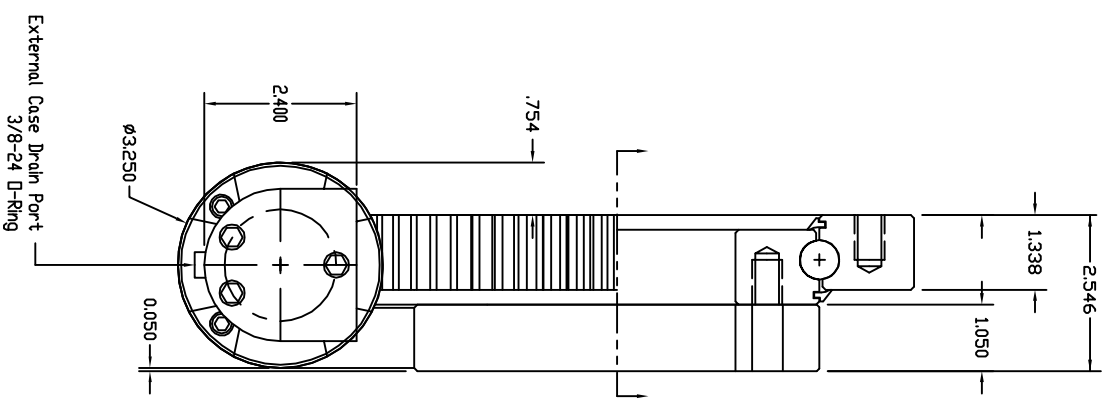
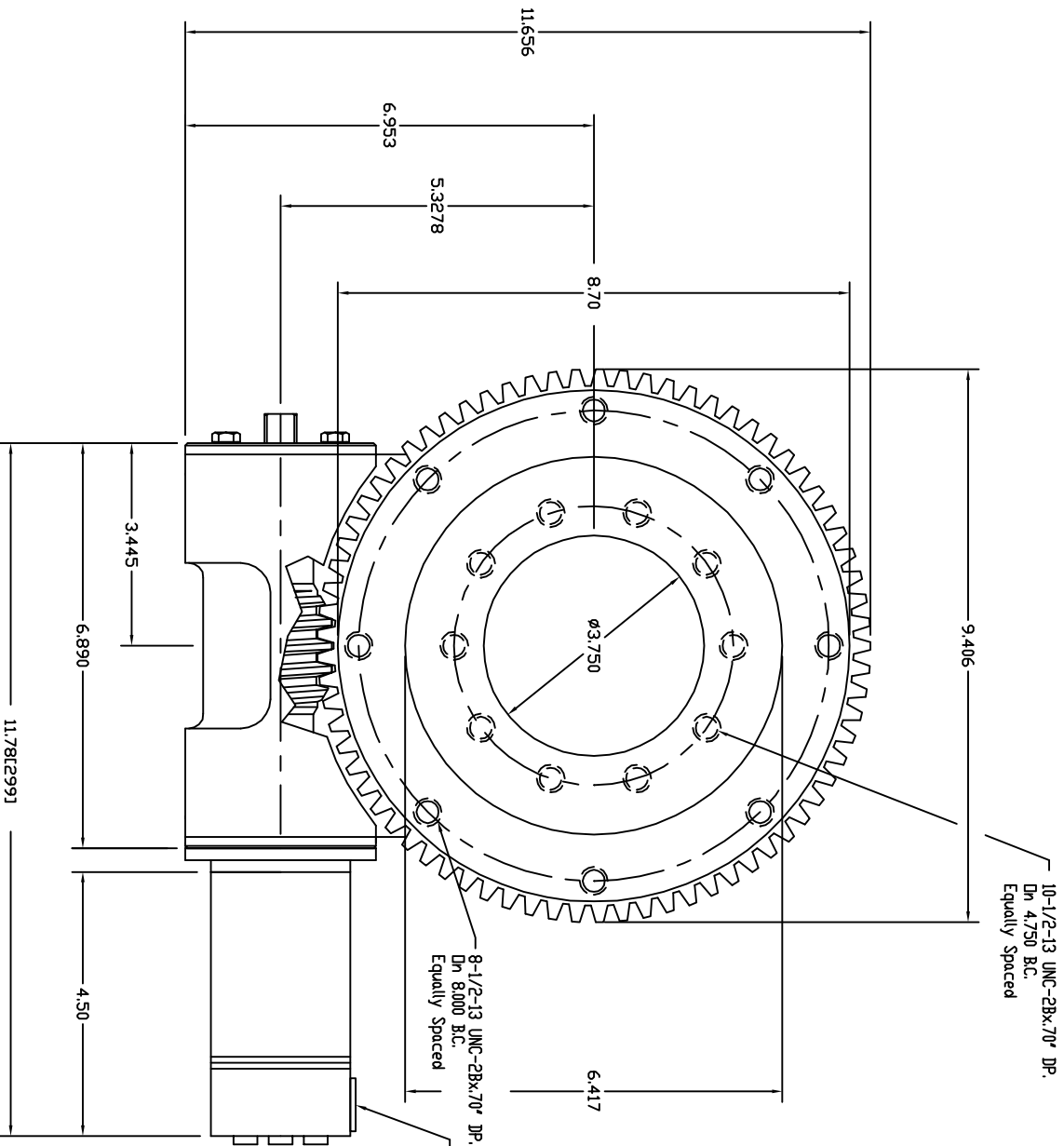


SLEW DRIVE 7000

SPECIFICATIONS:
 MAX TILTING MOMENT 10,000 FT-LBS.
 GEAR RATIO 73 TO 1
 OUTPUT TORQUE 8,745 IN-LBS.

TAPER BEARING AXIAL MOVEMENT
 GEAR BACKLASH
 RACEWAY TILT

NEW REPLACEMENT
 .000-.003" .010"
 .021" .039"
 .007" .035"



(MOTOR AVAILABLE IN LEFT AND RIGHT POSITIONS)
 (RIGHT HAND POSITION SHOWN)

ALL PROPRIETARY RIGHTS IN THE SUBJECT MATTER HEREOF ARE RESERVED, AND NO PERMISSION IS GRANTED TO REPRODUCE OR TRANSMIT IN ANY FORM OR BY ANY MEANS, ELECTRONIC OR MECHANICAL, INCLUDING PHOTOCOPYING, RECORDING, OR BY ANY INFORMATION STORAGE AND RETRIEVAL SYSTEM, WITHOUT PERMISSION IN WRITING FROM THE COMPANY TO WHICH SUCH RIGHTS BELONG.

MATERIAL		FINISH		WEIGHT		HEAT TREAT	
UNSPECIFIED TOLERANCE LIMITS		UNSPECIFIED DIMENSIONAL TOL.		TITLE		SLEWDRIVE™	
D0 NOT SCALE		FRAC. X .XX .XXX		HYDRAULIC ROTATOR		www.SlewDrive.com	
MACHINED FINISH 64 RMS MAX U.S.		±.020 ±.015 ±.010 ±.005		DRAWN BFM 8/12/96		HMEC (CHINA) CORP.	
CONCENTRICITY TLR		SCALE FULL		CHECKED		SIZE C	
ANGULAR DIMENSIONS ±		PROJECT NO. S06		APPROVED		DRAWING NUMBER H-S7000	
REMOVE ALL BORES & SHARP EDGES						REV F	
STANDARD FINISHES							