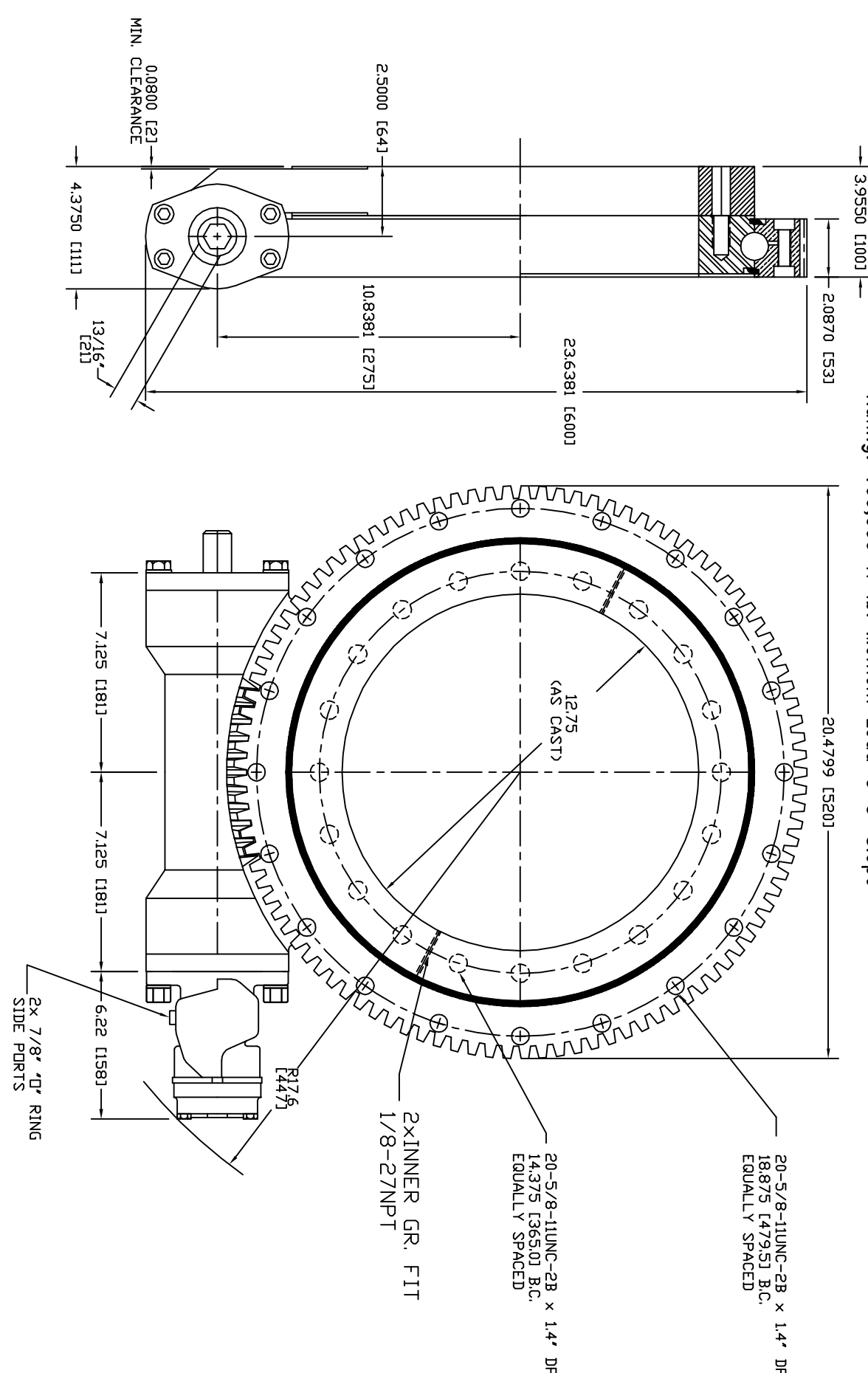


HOURGLASS WORM SLEW DRIVE
102:1 Gearbox Reduction Ratio
Rating: 100,000 ft-lb. Moment Load @ 5° Slope

NEW REPLACE
 .000-.003" .010"
 TAPER BEARING AXIAL MOVEMENT .017" .036"
 GEAR BACKLASH .007" .035"
 RACEWAY TILT



NOTE:
 MOTOR AVAILABLE IN LEFT & RIGHT HAND POSITIONS
 (MOTOR MOUNT SHOWN IN RIGHT HAND POSITION)

ALL PROPRIETARY RIGHTS IN THE SUBJECT MATTER HEREOF ARE RESERVED, AND NO PERMISSION IS GRANTED TO REPRODUCE OR TRANSMIT IN ANY FORM OR BY ANY MEANS, ELECTRONIC OR MECHANICAL, INCLUDING PHOTOCOPYING, RECORDING, OR BY ANY INFORMATION TO OTHERS.

MATERIAL	FINISH	WEIGHT	HEAT TREAT
UNSPECIFIED TOLERANCE LIMITS	UNSPECIFIED DIMENSIONAL TOL.	96 KG.	
DD NOT SCALE	FRAC. X .001	17" ROTATOR	SLEWER(TM) www.Slewdrive.com
MACHINED FINISH 64 RMS MAX U.S.	±.001 ±.002		
CONCENTRICITY TLR	SCALE	DRAWN	SIZE
ANGULAR DIMENSIONS ±	NTS	BFM 10/12/95	H-17B00
REWORK ALL DIMS & SHARP EDGES	PROJECT NO.	CHECKED	REV
STANDARD PRACTICES	SALES	APPROVED	L