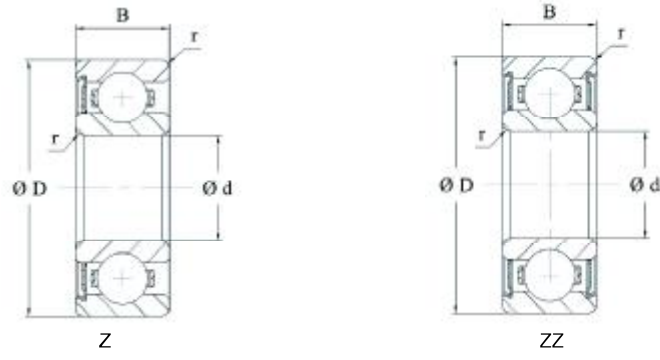


HMEC



Shaft diameter	Dimensions				Load rating		Limiting speed	Code bearing	Mass
	d	D	B	r _{min}	dyn. C	stat. Co			
	mm				kN		min ⁻¹	HMEC	≈ kg
30	30	47	9	0.3	7.25	5.00	17000	6906	0.052
	30	47	9	0.3	7.25	5.00	14000	6906.ZZ	0.052
	30	47	9	0.3	7.25	5.00	8500	6906.2RS	0.052
	30	55	9	0.3	11.2	7.35	16000	16006	0.082
	30	55	13	1	12.7	8	32000	6006	0.122
	30	55	13	1	12.7	8	13000	6006.ZZ	0.125
	30	55	13	1	12.7	8	8500	6006.2RS	0.125
	30	62	16	1	19.3	11.2	14000	6206	0.195
	30	62	16	1	19.3	11.2	11000	6206.ZZ	0.201
	30	62	16	1	19.3	11.2	7500	6206.2RS	0.201
	30	62	20	1	19.3	11.2	7500	62206.2RS	0.245
	30	72	19	1.1	29	16.3	24000	6306	0.355
	30	72	19	1.1	29	16.3	9500	6306.ZZ	0.363
	30	72	19	1.1	29	16.3	6300	6306.2RS	0.365
	30	72	27	1.1	29	16.3	6300	62306.2RS	0.499
30	90	23	1.5	42.5	23.2	19000	6406	0.76	
35	35	47	7	0.3	4.75	3.90	16000	6807	0.027
	35	47	7	0.3	4.75	3.90	13000	6807.ZZ	0.027
	35	47	7	0.3	4.75	3.90	7500	6807.2RS	0.027
	35	55	10	0.6	10.60	7.25	15000	6907	0.075