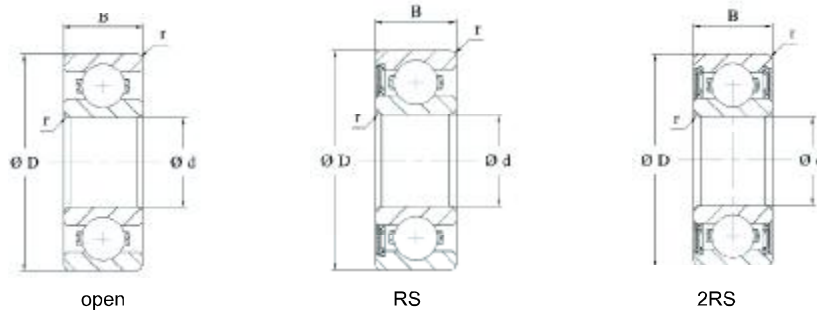


**Deep groove ball bearings
(metric sizes)**



Shaft diameter	Dimensions				Load rating		Limiting speed min ⁻¹	Code bearing HMEC	Mass ≈ kg
	d	D	B	r _{s min}	dyn. C	stat. C ₀			
	mm				kN				
25	25	37	7	0.3	4.30	2.95	10000	6805.2RS	0.021
	25	42	9	0.3	7.05	4.55	19000	6905	0.042
	25	42	9	0.3	7.05	4.55	16000	6905.ZZ	0.042
	25	42	9	0.3	7.05	4.55	10000	6905.2RS	0.042
	25	47	8	0.3	7.2	4.65	19000	16005	0.055
	25	47	12	0.6	10	5.85	36000	6005	0.08
	25	47	12	0.6	10	5.85	15000	6005.ZZ	0.083
	25	47	12	0.6	10	5.85	10000	6005.2RS	0.084
	25	52	15	1	14	7.8	17000	6205	0.128
	25	52	15	1	14	7.8	14000	6205.ZZ	0.132
	25	52	15	1	14	7.8	9000	6205.2RS	0.132
	25	52	18	1	14	7.8	9000	62205.2RS	0.156
	25	62	17	1.1	22.4	11.4	28000	6305	0.234
	25	62	17	1.1	22.4	11.4	11000	6305.ZZ	0.24
	25	62	17	1.1	22.4	11.4	7500	6305.2RS	0.242
25	62	24	1.1	22.4	11.4	7500	62305.2RS	0.272	
25	80	21	1.5	36	19.3	22000	6405	0.56	
30	30	42	7	0.3	4.50	3.45	18000	6806	0.024
	30	42	7	0.3	4.50	3.45	15000	6806.ZZ	0.024
	30	42	7	0.3	4.50	3.45	9000	6806.2RS	0.024