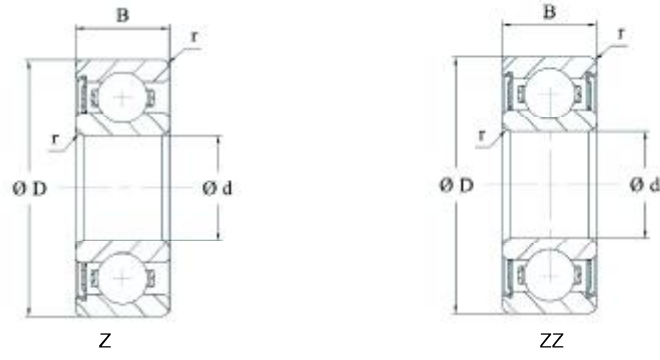


HMEC



Shaft diameter	Dimensions				Load rating		Limiting speed	Code bearing	Mass
	d	D	B	r _{min}	dyn. C	stat. Co			
	mm				kN		min ⁻¹	HMEC	≈ kg
17	17	47	19	1	13.4	6.55	11000	62303.2RS	0.154
	17	62	17	1.1	22.4	11.4	28000	6403	0.269
20	20	32	7	0.3	4.00	2.47	26000	6804	0.017
	20	32	7	0.3	4.00	2.47	22000	6804.ZZ	0.017
	20	32	7	0.3	4.00	2.47	13000	6804.2RS	0.017
	20	37	9	0.3	6.40	3.70	22000	6904	0.037
	20	37	9	0.3	6.40	3.70	19000	6904.ZZ	0.037
	20	37	9	0.3	6.40	3.70	12000	6904.2RS	0.037
	20	47	14	1	12.7	6.55	18000	6204	0.105
	20	47	14	1	12.7	6.55	15000	6204.ZZ	0.109
	20	47	14	1	12.7	6.55	10000	6204.2RS	0.109
	20	47	18	1	12.7	6.55	10000	62204.2RS	0.139
	20	52	15	1.1	16	7.8	34000	6304	0.151
	20	52	15	1.1	16	7.8	14000	6304.ZZ	0.155
	20	52	15	1.1	16	7.8	9500	6304.2RS	0.155
	20	52	21	1.1	16	7.8	9500	62304.2RS	0.209
	20	72	19	1.1	30.5	15	26000	6404	0.415
25	25	37	7	0.3	4.30	2.95	22000	6805	0.021
	25	37	7	0.3	4.30	2.95	18000	6805.ZZ	0.021