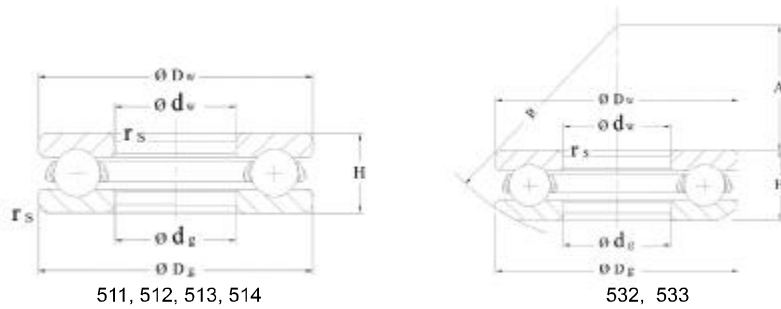


Thrust Ball Bearing



Shaft diameter	Dimensions						Load rating		Limiting speed	Code Bearing	Mass		
	d_w	d_g	D_w	D_g	H	$r_{s \min}$	dyn. C	stat. Co			HMEC	≈	Seating washer
	mm						kN				min^{-1}		
160	160	163	222	225	51	1.5	245	780	1400	51232MP	6.53		
	160	163	222	225	54.7	1.5	245	780	1400	53232MP	6.45	1.81	
	160	164	265	270	87	3	455	1500	900	51332M	21.1		
170	170	172	213	215	34	1.1	132	500	1600	51134FP	3.08		
	170	173	237	240	55	1.5	285	930	1200	51234MP	8.12		
	170	173	237	240	58.7	1.5	285	930	1200	53234MP	7.91	2.14	
	170	174	275	280	87	3	465	1630	900	51334M	24.1		
180	180	183	222	225	34	1.1	134	530	1500	51136FP	3.17		
	180	183	245	250	56	1.5	305	1040	1200	51236MP	8.55		
	180	183	245	250	58.2	1.5	305	1040	1200	53236MP	8.19	1.06	
	180	184	295	300	95	3	520	1830	800	51336M	24.8		