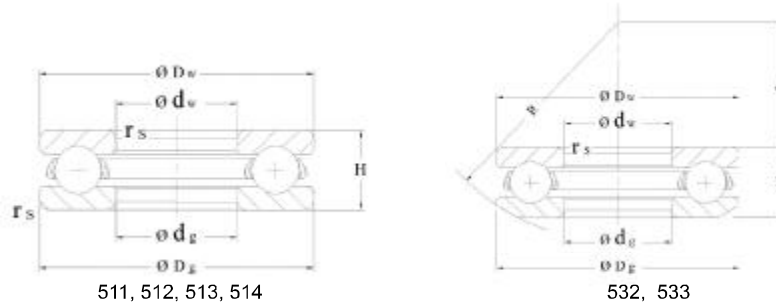


HMEC



Shaft diameter	Dimensions						Load rating		Limiting speed	Code Bearing	Mass	Seating washer
	d _w	d _g	D _w	D _g	H	r _s min	dyn. C	stat. Co				
	mm						kN					
120	120	122	155	155	25	1	90	310	2000	51124	1.59	
	120	123	170	170	39	1.1	134	390	1700	51224	2.66	
	120	123	170	170	40.8	1.1	134	390	1700	53224	2.58	0.65
	120	123	205	210	70	2.1	325	915	1200	51324MP	9.3	
	120	123	205	210	74.1	2.1	325	915	1200	53324MP	9.18	2.1
	120	123	245	250	102	4	425	1220	900	51424FP	26.5	
130	130	132	170	170	30	1	112	390	1800	51126	2.28	
	130	133	187	190	45	1.5	183	540	1600	51226	3.75	
	130	133	187	190	47.9	1.5	183	540	1600	53226	3.69	0.9
	130	134	220	225	75	2.1	360	1060	1100	51326MP	13	
	130	134	265	270	110	4	520	1600	800	51426FP	32.8	
140	140	142	178	180	31	1	112	400	1800	51128	2.6	
	140	143	197	200	46	1.5	190	570	1500	51228	4.3	
	140	143	197	200	48.6	1.5	190	570	1500	53228	4.25	1.22
	140	144	235	240	80	2.1	405	1250	1000	51328MP	15.6	
150	150	152	188	190	31	1	110	400	1700	51130FP	2.26	
	150	153	212	215	50	1.5	236	735	1400	51230MP	6.08	
	150	153	212	215	53.3	1.5	236	735	1400	53230MP	5.95	1.69
	150	154	245	250	80	2.1	415	1340	950	51330MP	16.2	
	150	154	245	250	83.7	2.1	415	1340	950	53330MP	12.8	3.1
	150	154	295	300	120	4	560	1800	750	51430FP	43.1	
160	160	162	198	200	31	1	112	430	1700	51132FP	2.39	