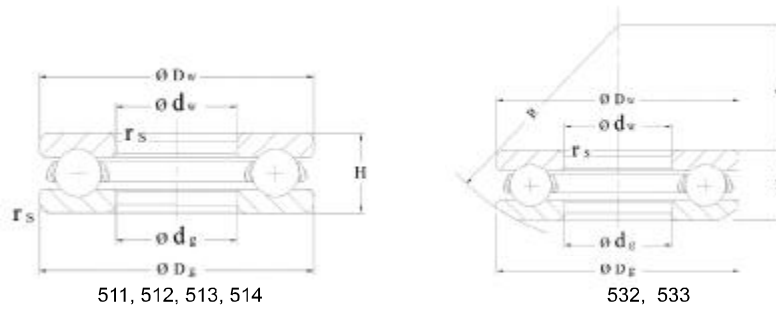


Thrust Ball Bearing



Shaft diameter	Dimensions						Load rating		Limiting speed	Code Bearing	Mass	Seating washer
	d _w	d _g	D _w	D _g	H	r _{s min}	dyn. C	stat. Co				
	mm						kN					
85	85	87	110	110	19	1	45.5	150	3200	51117	0.605	
	85	88	125	125	31	1	98	250	2200	51217	1.21	
	85	88	125	125	33.1	1	98	250	2200	53217	1.22	0.29
	85	88	150	150	49	1.5	186	415	1700	51317	3.48	
	85	88	150	150	53.1	1.5	186	415	1700	53317	3.51	0.81
	85	88	177	180	72	2.1	290	680	1300	51417FP	9.79	
90	90	92	120	120	22	1	60	190	2800	51118	0.892	
	90	93	135	135	35	1.1	118	300	2000	51218	1.66	
	90	93	135	135	38.5	1.1	118	300	2000	53218	1.7	0.42
	90	93	155	155	50	1.5	193	455	1700	51318	3.75	
	90	93	155	155	54.6	1.5	193	455	1700	53318	3.81	0.84
	90	93	187	190	77	2.1	305	750	1200	51418FP	11.6	
100	100	102	135	135	25	1	85	270	2200	51120	1.26	
	100	103	150	150	38	1.1	122	320	1900	51220	2.08	
	100	103	150	150	40.9	1.1	122	320	1900	53220	2.08	0.5
	100	103	170	170	55	1.5	240	585	1500	51320	4.94	
	100	103	170	170	59.2	1.5	240	585	1500	53320	4.99	0.95
	100	103	205	210	85	3	365	965	1000	51420FP	15.4	
110	110	112	145	145	25	1	86.5	290	2200	51122	1.45	
	110	113	160	160	38	1.1	129	360	1800	51222	2.26	
	110	113	160	160	40.2	1.1	129	360	1800	53222	2.23	0.56
	110	113	187	190	63	2	280	750	1400	51322MP	7.85	
	110	113	187	190	67.2	2	280	750	1400	53322MP	7.85	1.28
	110	113	225	230	95	3	415	1140	950	51422FP	20.8	