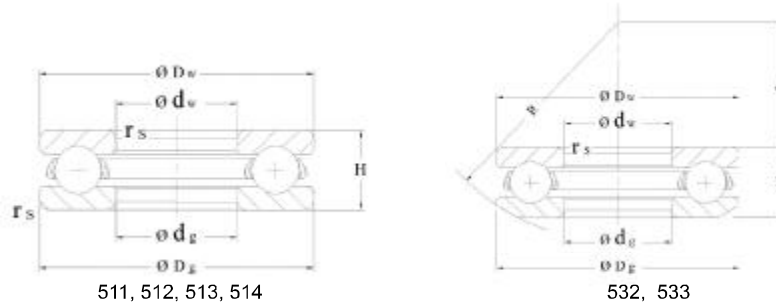


Thrust Ball Bearing



Shaft diameter	Dimensions						Load rating		Limiting speed	Code Bearing	Mass	Seating washer
	d _w	d _g	D _w	D _g	H	r _{s min}	dyn. C	stat. Co				
	mm						kN					
45	45	47	85	85	28	1	75	140	3000	51309	0.612	
	45	47	85	85	30.1	1	75	140	3000	53309	0.783	0.17
	45	47	100	100	39	1.1	129	245	2200	51409	1.6	
50	50	52	70	70	14	0.6	25.5	63	4300	51110	0.165	
	50	52	78	78	22	1	50	106	3400	51210	0.346	
	50	52	78	78	23.5	1	50	106	3400	53210	0.341	0.098
	50	52	95	95	31	1.1	86.5	170	2800	51310	0.932	
	50	52	95	95	34.3	1.1	86.5	170	2800	53310	0.97	0.23
	50	52	110	110	43	1.5	156	310	2000	51410	2.18	
55	55	57	78	78	16	0.6	31	78	3800	51111	0.247	
	55	57	90	90	25	1	61	134	3200	51211	0.382	
	55	57	90	90	27.3	1	61	134	3200	53211	0.609	0.152
	55	57	105	105	35	1.1	102	208	2400	51311	1.3	
	55	57	105	105	39.3	1.1	102	208	2400	53311	1.38	0.28
	55	57	120	120	48	1.5	180	360	1800	51411	2.91	
60	60	62	85	85	17	1	36.5	93	3600	51112	0.817	
	60	62	95	95	26	1	62	140	3000	51212	0.649	
	60	62	95	95	28	1	62	140	3000	53212	0.655	0.16
	60	62	110	110	35	1.1	100	208	2200	51312	1.36	
	60	62	110	110	38.3	1.1	100	208	2200	53312	1.42	0.31
	60	62	130	130	51	1.5	200	400	1700	51412FP	3.7	
65	65	67	90	90	18	1	37.5	98	3400	51113	0.364	