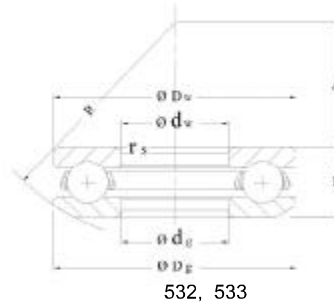
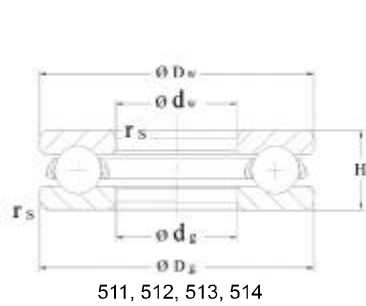


HMEC



Shaft diameter	Dimensions						Load rating		Limiting speed	Code Bearing	Mass	Seating washer
	d_w	d_g	D_w	D_g	H	$r_{s \min}$	dyn. C	stat. Co				
	mm						kN		min^{-1}	HMEC	≈	kg
25	25	27	60	60	24	1	51	80	3600	51405	0.363	
30	30	32	47	47	11	0.6	16.6	33.5	5600	51106	0.66	
	30	32	52	52	16	0.6	25	46.5	4800	51206	0.136	
	30	32	52	52	17.8	0.6	25	46.5	4800	53206	0.147	0.038
	30	32	60	60	21	1	38	65.5	4000	51306	0.244	
	30	32	60	60	22.6	1	38	65.5	4000	53306	0.303	0.056
35	30	32	70	70	28	1	72	125	3200	51406	0.577	
	35	37	52	52	12	0.6	17.6	37.5	5300	51107	0.085	
	35	37	62	62	18	1	35.5	67	4000	51207	0.198	
	35	37	62	62	19.9	1	35.5	67	4000	53207	0.265	0.057
	35	37	68	68	24	1	50	88	3600	51307	0.351	
40	35	37	68	68	25.6	1	50	88	3600	53307	0.437	0.084
	35	37	80	80	32	1.1	86.5	156	3000	51407	0.855	
	40	42	60	60	13	0.6	23.2	50	4500	51108	0.125	
	40	42	68	68	19	1	46.5	98	3800	51208	0.257	
	40	42	68	68	20.3	1	46.5	98	3800	53208	0.259	0.07
	40	42	78	78	26	1	61	112	3200	51308	0.536	
45	40	42	78	78	28.5	1	61	112	3200	53308	0.561	0.12
	40	42	90	90	36	1.1	112	204	2400	51408	1.17	
	45	47	65	65	14	0.6	24.5	57	4500	51109	0.148	
45	45	47	73	73	20	1	39	80	3600	51209	0.279	
	45	47	73	73	21.3	1	39	80	3600	53209	0.278	0.087