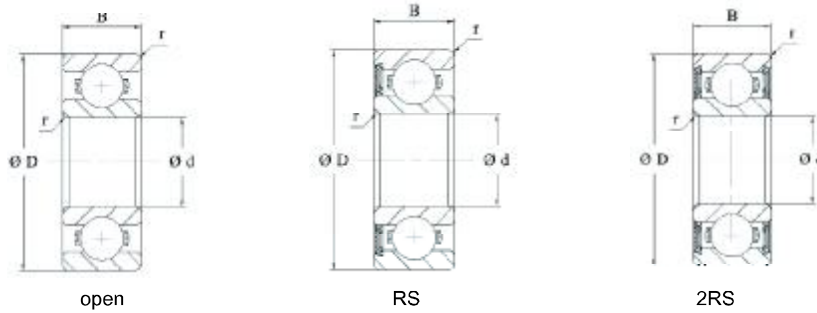


**Deep groove ball bearings  
(metric sizes)**



Shaft diameter	Dimensions				Load rating		Limiting speed	Code bearing HMEC	Mass bearing ≈ kg
	d	D	B	r <sub>s min</sub>	dyn. C	stat. Co			
	mm				kN		min <sup>-1</sup>		
15	15	42	13	1	11.4	5.4	43000	<b>6302</b>	0.088
	15	42	13	1	11.4	5.4	18000	<b>6302.ZZ</b>	0.09
	15	42	13	1	11.4	5.4	12000	<b>6302.2RS</b>	0.09
	15	42	17	1	11.4	5.4	12000	<b>62302.2RS</b>	0.114
17	17	26	5	0.3	2.63	1.57	30000	<b>6803</b>	0.007
	17	26	5	0.3	2.63	1.57	26000	<b>6803.ZZ</b>	0.007
	17	26	5	0.3	2.63	1.57	15000	<b>6803.2RS</b>	0.007
	17	30	7	0.3	4.60	2.55	28000	<b>6903</b>	0.017
	17	30	7	0.3	4.60	2.55	24000	<b>6903.ZZ</b>	0.017
	17	30	7	0.3	4.60	2.55	15000	<b>6903.2RS</b>	0.017
	17	35	8	0.3	6	3.25	28000	<b>16003</b>	0.03
	17	35	10	0.3	6	3.25	28000	<b>6003</b>	0.038
	17	35	10	0.3	6	3.25	22000	<b>6003.ZZ</b>	0.04
	17	35	10	0.3	6	3.25	14000	<b>6003.2RS</b>	0.04
	17	40	12	0.6	9.5	4.75	22000	<b>6203</b>	0.065
	17	40	12	0.6	9.5	4.75	18000	<b>6203.ZZ</b>	0.067
	17	40	12	0.6	9.5	4.75	12000	<b>6203.2RS</b>	0.067
	17	40	16	0.6	9.5	4.75	12000	<b>62203.2RS</b>	0.087
	17	47	14	1	13.4	6.55	19000	<b>6303</b>	0.114
	17	47	14	1	13.4	6.55	16000	<b>6303.ZZ</b>	0.117
	17	47	14	1	13.4	6.55	11000	<b>6303.2RS</b>	0.118