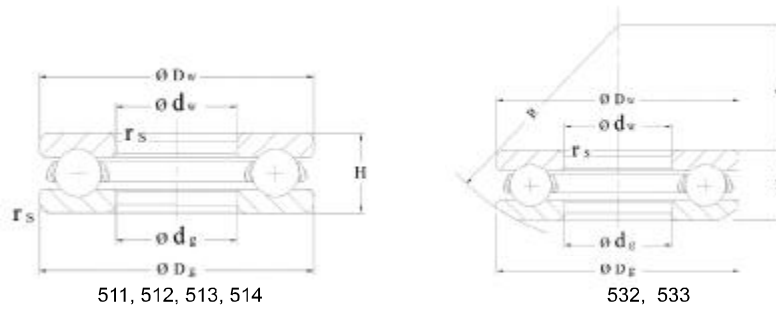


Thrust Ball Bearing



Shaft diameter	Dimensions						Load rating		Limiting speed	Code Bearing	Mass	Seating washer
	d_w	d_g	D_w	D_g	H	$r_{s \min}$	dyn. C	stat. Co				
	mm						kN		min^{-1}	HMEC	≈	kg
10	10	11	24	24	9	0.3	10	14	9500	51100	0.018	
	10	12	26	26	11	0.6	12.7	17	8000	51200	0.029	
	10	12	26	26	11.6	0.6	12.7	17	8000	53200	0.028	0.01
12	12	13	26	26	9	0.3	10.4	15.3	9000	51101	0.021	
	12	14	28	28	11	0.6	13.2	19	8000	51201	0.032	
	12	14	28	28	11.4	0.6	13.2	19	8000	53201	0.036	0.012
15	15	16	28	28	9	0.3	9.3	14	8500	51102	0.022	
	15	17	32	32	12	0.6	16.6	25	6700	51202	0.043	
	15	17	32	32	13.3	0.6	16.6	25	6700	53202	0.045	0.014
17	17	18	30	30	9	0.3	9.6	15.3	8500	51103	0.026	
	17	19	35	35	12	0.6	17.3	27.5	6700	51203	0.05	
	17	19	35	35	13.2	0.6	17.3	27.5	6700	53203	0.052	0.015
20	20	21	35	35	10	0.3	12.7	20.8	7000	51104	0.038	
	20	22	40	40	14	0.6	22.4	37.5	5600	51204	0.076	
	20	22	40	40	14.7	0.6	22.4	37.5	5600	53204	0.095	0.02
25	25	26	42	42	11	0.6	15.6	29	6300	51105	0.058	
	25	27	47	47	15	0.6	28	50	5000	51205	0.114	
	25	27	47	47	16.7	0.6	28	50	5000	53205	0.121	0.032
	25	27	52	52	18	1	34.5	55	4300	51305	0.154	
	25	27	52	52	19.8	1	34.5	55	4300	53305	0.203	0.044