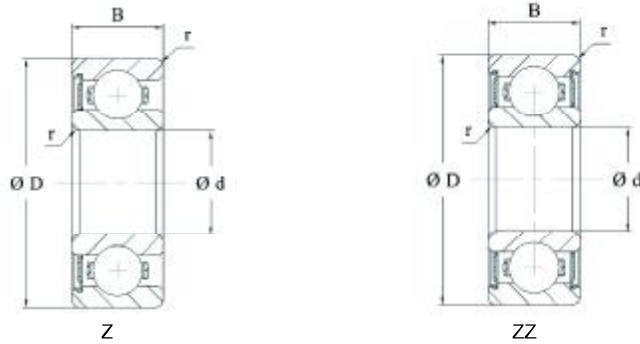


## HMEC



Shaft diameter	Dimensions				Load rating		Limiting speed min <sup>-1</sup>	Code bearing HMEC	Mass ≈ kg	
	d	D	B	r <sub>min</sub>	dyn. C	stat. Co				
	mm				kN					
12	12	32	10	0.6	6.95	3.1	30000	<b>6201</b>	0.037	
	12	32	10	0.6	6.95	3.1	24000	<b>6201.ZZ</b>	0.039	
	12	32	10	0.6	6.95	3.1	16000	<b>6201.2RS</b>	0.039	
	12	32	14	0.6	6.95	3.1	16000	<b>62201.2RS</b>	0.052	
	12	37	12	1	9.65	4.15	53000	<b>6301</b>	0.062	
	12	37	12	1	9.65	4.15	20000	<b>6301.ZZ</b>	0.064	
	12	37	12	1	9.65	4.15	13000	<b>6301.2RS</b>	0.064	
	15	15	24	5	0.3	2.07	1.26	34000	<b>6802</b>	0.007
		15	24	5	0.3	2.07	1.26	28000	<b>6802.ZZ</b>	0.007
15		24	5	0.3	2.07	1.26	17000	<b>6802.2RS</b>	0.007	
15		28	7	0.3	4.35	2.26	30000	<b>6902</b>	0.015	
15		28	7	0.3	4.35	2.26	26000	<b>6902.ZZ</b>	0.015	
15		28	7	0.3	4.35	2.26	17000	<b>6902.2RS</b>	0.015	
15		32	8	0.3	5.6	2.85	30000	<b>16002</b>	0.027	
15		32	9	0.3	5.6	2.85	30000	<b>6002</b>	0.031	
15		32	9	0.3	5.6	2.85	24000	<b>6002.ZZ</b>	0.033	
15		32	9	0.3	5.6	2.85	16000	<b>6002.2RS</b>	0.033	
15		35	11	0.6	7.8	3.75	26000	<b>6202</b>	0.043	
15		35	11	0.6	7.8	3.75	20000	<b>6202.ZZ</b>	0.045	
15		35	11	0.6	7.8	3.75	14000	<b>6202.2RS</b>	0.045	
15		35	14	0.6	7.8	3.75	14000	<b>62202.2RS</b>	0.057	