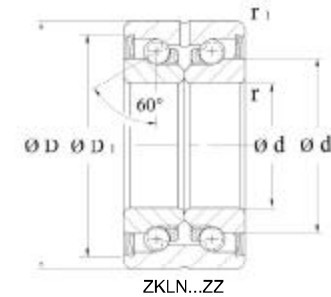
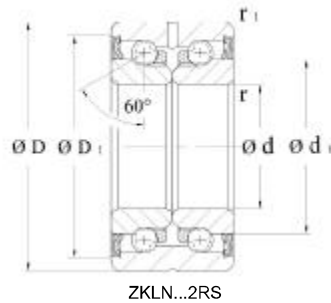


High Precision Axial Angular Contact Ball Bearings For Guide Screw

Double direction
Series ZKLN...2RS
ZKLN...ZZ

HMEC



| Shaft diameter | Dimensions | | | | | | | Basic Load rating | |
|----------------|----------------------|----------------------|-------|----------------|----------------|-----|----------------|-------------------|----------------------|
| | d | D | B | d ₁ | D ₁ | r | r ₁ | dyn. C | stat. C ₀ |
| | -0.005 ⁵⁾ | -0.010 ⁶⁾ | -0.25 | | | min | min | kN | |
| 6 | 6 | 19 | 12 | 12 | 16.5 | 0.3 | 0.3 | 4.9 | 6.1 |
| | 6 | 24 | 15 | 14 | 19.5 | 0.3 | 0.6 | 6.9 | 8.5 |
| | 6 | 24 | 15 | 14 | 19.5 | 0.3 | 0.6 | 6.9 | 8.5 |
| 8 | 8 | 32 | 20 | 19 | 26.5 | 0.3 | 0.6 | 12.5 | 16.3 |
| | 8 | 32 | 20 | 19 | 26.5 | 0.3 | 0.6 | 12.5 | 16.3 |
| 10 | 10 | 34 | 20 | 21 | 28.5 | 0.3 | 0.6 | 13.4 | 18.8 |
| | 10 | 34 | 20 | 21 | 28.5 | 0.3 | 0.6 | 13.4 | 18.8 |
| 12 | 12 | 42 | 25 | 25 | 33.5 | 0.3 | 0.6 | 17 | 24.7 |
| | 12 | 42 | 25 | 25 | 33.5 | 0.3 | 0.6 | 17 | 24.7 |
| 15 | 15 | 45 | 25 | 28 | 36 | 0.3 | 0.6 | 17.9 | 28 |
| | 15 | 45 | 25 | 28 | 36 | 0.3 | 0.6 | 17.9 | 28 |
| 17 | 17 | 47 | 25 | 30 | 38 | 0.3 | 0.6 | 18.8 | 31 |
| | 17 | 47 | 25 | 30 | 38 | 0.3 | 0.6 | 18.8 | 31 |
| 20 | 20 | 52 | 28 | 34.5 | 44 | 0.3 | 0.6 | 26 | 47 |
| | 20 | 52 | 28 | 34.5 | 44 | 0.3 | 0.6 | 26 | 47 |
| 25 | 25 | 57 | 28 | 40.5 | 49 | 0.3 | 0.6 | 27.5 | 55 |
| | 25 | 57 | 28 | 40.5 | 49 | 0.3 | 0.6 | 27.5 | 55 |
| 30 | 30 | 62 | 28 | 45.5 | 54 | 0.3 | 0.6 | 29 | 64 |
| | 30 | 62 | 28 | 45.5 | 54 | 0.3 | 0.6 | 29 | 64 |
| 35 | 35 | 72 | 34 | 52 | 63 | 0.3 | 0.6 | 41 | 89 |
| | 35 | 72 | 34 | 52 | 63 | 0.3 | 0.6 | 41 | 89 |
| 40 | 40 | 75 | 34 | 58 | 68 | 0.3 | 0.6 | 43 | 101 |
| | 40 | 75 | 34 | 58 | 68 | 0.3 | 0.6 | 43 | 101 |
| 50 | 50 | 90 | 34 | 72 | 82 | 0.3 | 0.6 | 46.5 | 126 |
| | 50 | 90 | 34 | 72 | 82 | 0.3 | 0.6 | 46.5 | 126 |
| 60 | 60 | 110 | 45 | 85 | 100 | 0.6 | 0.6 | 84 | 214 |
| 70 | 70 | 120 | 45 | 95 | 110 | 0.6 | 0.6 | 88 | 241 |
| 80 | 80 | 130 | 45 | 105 | 120 | 0.6 | 0.6 | 91 | 265 |
| 90 | 90 | 150 | 55 | 120 | 138 | 0.6 | 0.6 | 135 | 395 |
| 100 | 100 | 100 | 55 | 132 | 150 | 0.6 | 0.6 | 140 | 435 |

| Limiting speed n _G grease | Bearing frictional torque M _{RL} | Axial rigidity C _{aL} | Tilting rigidity C _{kL} | Code bearing HMEC | Mass ≈ kg |
|---|--|-----------------------------------|-------------------------------------|-----------------------|-----------------|
| min ⁻¹ | Nm | N/um | Nm/mrad | | |
| 14000 | 0.01 | 150 | 4 | ZKLN 0619.2Z | 0.02 |
| 6800 | 0.04 | 200 | 8 | ZKLN 0624.2RS | 0.03 |
| 12000 | 0.02 | 200 | 8 | ZKLN 0624.2Z | 0.03 |
| 5100 | 0.08 | 250 | 20 | ZKLN 0832.2RS | 0.09 |
| 9500 | 0.04 | 250 | 20 | ZKLN 0832.2Z | 0.09 |
| 4600 | 0.12 | 325 | 25 | ZKLN 1034.2RS | 0.1 |
| 8600 | 0.06 | 325 | 25 | ZKLN 1034.2Z | 0.1 |
| 3800 | 0.16 | 375 | 50 | ZKLN 1242.2RS | 0.2 |
| 7600 | 0.08 | 375 | 50 | ZKLN 1242.2Z | 0.2 |
| 3500 | 0.2 | 400 | 65 | ZKLN 1545.2RS | 0.21 |
| 7000 | 0.1 | 400 | 65 | ZKLN 1545.2Z | 0.21 |
| 3300 | 0.24 | 450 | 80 | ZKLN 1747.2RS | 0.22 |
| 6600 | 0.12 | 450 | 80 | ZKLN 1747.2Z | 0.22 |
| 3000 | 0.3 | 650 | 140 | ZKLN 2052.2RS | 0.31 |
| 5400 | 0.15 | 650 | 140 | ZKLN 2052.2Z | 0.31 |
| 2600 | 0.4 | 750 | 200 | ZKLN 2557.2RS | 0.34 |
| 4700 | 0.2 | 750 | 200 | ZKLN 2557.2Z | 0.34 |
| 2200 | 0.5 | 850 | 300 | ZKLN 3062.2RS | 0.39 |
| 4300 | 0.25 | 850 | 300 | ZKLN 3062.2Z | 0.39 |
| 2000 | 0.6 | 900 | 400 | ZKLN 3572.2RS | 0.51 |
| 3800 | 0.3 | 900 | 400 | ZKLN 3572.2Z | 0.51 |
| 1800 | 0.7 | 1000 | 550 | ZKLN 4075.2RS | 0.61 |
| 3300 | 0.35 | 1000 | 550 | ZKLN 4075.2Z | 0.61 |
| 1500 | 0.9 | 1250 | 1000 | ZKLN 5090.2RS | 0.88 |
| 3000 | 0.45 | 1250 | 1000 | ZKLN 5090.2Z | 0.88 |
| 3000 | 1 | 1300 | 1650 | ZKLN 60110.2Z | 2.2 |
| 2800 | 1.2 | 1450 | 2250 | ZKLN 70120.2Z | 2.4 |
| 2700 | 1.4 | 1600 | 3000 | ZKLN 80130.2Z | 2.7 |
| 2300 | 2.3 | 1700 | 4400 | ZKLN 90150.2Z | 4.5 |
| 2150 | 2.6 | 1900 | 5800 | ZKLN 100160.2Z | 4.9 |