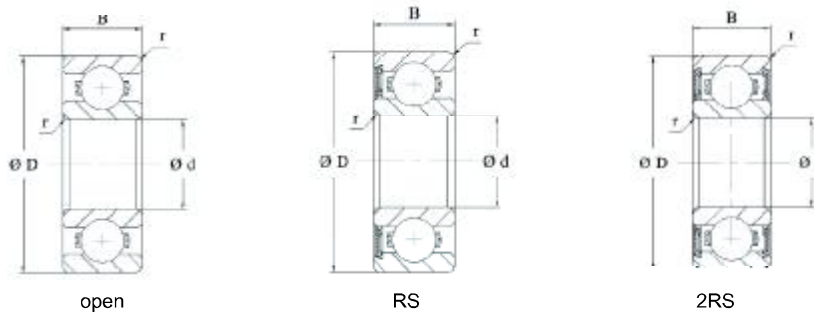


**Deep groove ball bearings
(metric sizes)**



Shaft diameter	Dimensions				Load rating		Limiting speed min ⁻¹	Code bearing HMEC	Mass bearing ≈ kg
	d	D	B	r _{min}	dyn. C	stat. Co			
	mm				kN				
10	10	26	8	0.3	4.55	1.96	34000	6000	0.019
	10	26	8	0.3	4.55	1.96	28000	6000.ZZ	0.02
	10	26	8	0.3	4.55	1.96	19000	6000.2RS	0.02
	10	28	8	0.3	7.5	2.37	32000	16100	0.024
	10	30	9	0.6	6	2.6	32000	6200	0.031
	10	30	9	0.6	6	2.6	26000	6200.ZZ	0.032
	10	30	9	0.6	6	2.6	17000	6200.2RS	0.032
	10	30	14	0.6	6	2.6	17000	62200.2RS	0.048
	10	35	11	0.6	8.15	3.45	56000	6300	0.055
	10	35	11	0.6	8.15	3.45	22000	6300.ZZ	0.057
	10	35	11	0.6	8.15	3.45	15000	6300.2RS	0.057
	12	12	21	5	0.3	1.92	1.04	38000	6801
12		21	5	0.3	1.92	1.04	32000	6801.ZZ	0.006
12		21	5	0.3	1.92	1.04	20000	6801.2RS	0.006
12		24	6	0.3	2.89	1.46	36000	6901	0.010
12		24	6	0.3	2.89	1.46	30000	6901.ZZ	0.010
12		24	6	0.3	2.89	1.46	20000	6901.2RS	0.010
12		28	8	0.3	5.1	2.36	32000	6001	0.02
12		28	8	0.3	5.1	2.36	26000	6001.ZZ	0.02
12		28	8	0.3	5.1	2.36	18000	6001.2RS	0.022
12		28	7	0.3	5.1	2.37	32000	16001	0.02