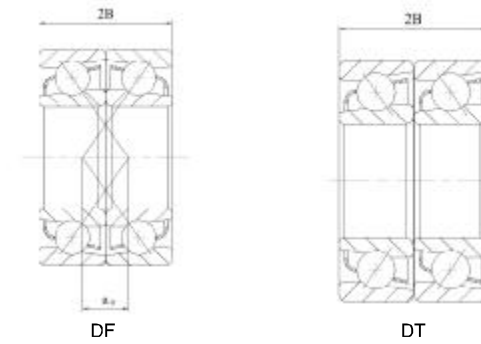
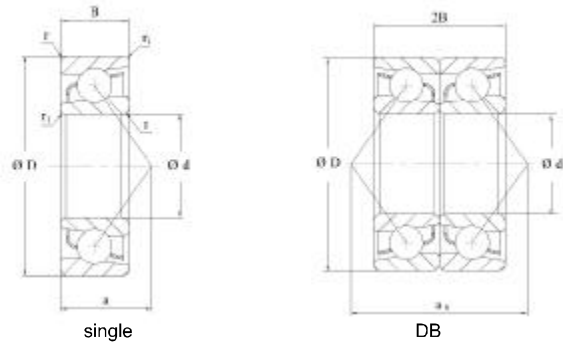


Angular Contact Ball Bearings
Single Row

HMEC



Shaft diameter	Dimensions			Basic load ratings (single type)		Limiting Speed (single type)		Working point ≈ a ₀
	d	D	B	dyn. Cr	stat. Cor	grease	oil	
	mm			kN		min ⁻¹		
80	80	110	16	26.9	28.0	5900	7800	35.5
	80	125	22	53.5	50.5	5500	7300	40.5
	80	140	26	89.0	76.0	5000	6600	45
	80	140	26	80.5	69.5	4300	5700	59
	80	170	39	147	119	4500	5900	55.5
	80	170	39	135	109	3800	5100	72
85	85	120	18	36.0	38.0	5500	7400	38.5
	85	130	22	54.5	53.5	5100	6900	42
	85	150	28	99.5	88.5	4700	6200	48
	85	150	28	90.0	80.5	4000	5300	63.5
	85	180	41	159	133	4200	5600	59
	85	180	41	146	122	3600	4800	76

Basic load ratings (combined type)		Limiting Speed (combined type)		Code bearing HMEC (combined type)			Mass ≈ kg	
dyn. Cr	stat. Cor	grease	oil	DB	DF	DT		
kN		min ⁻¹		(single type)				
43.5	56.0	4700	6200	7916DB	7916DF	7916DT	7916	0.444
86.5	101	4400	5800	7016DB	7016DF	7016DT	7016	0.994
145	152	3900	5300	7216DB	7216DF	7216DT	7216	1.39
131	139	3400	4600	7216BDB	7216BDF	7216BDT	7216B	1.42
239	238	3500	4700	7316DB	7316DF	7316DT	7316	3.65
219	218	3100	4100	7316BDB	7316BDF	7316BDT	7316B	3.72
59.0	76.0	4400	5900	7917DB	7917DF	7917DT	7917	0.628
89.0	107	4100	5500	7017DB	7017DF	7017DT	7017	1.04
162	177	3700	5000	7217DB	7217DF	7217DT	7217	1.78
146	161	3200	4300	7217BDB	7217BDF	7217BDT	7217B	1.82
258	265	3300	4500	7312DB	7312DF	7312DT	7312	4.34
236	244	2900	3900	7312BDB	7312BDF	7312BDT	7312B	4.43