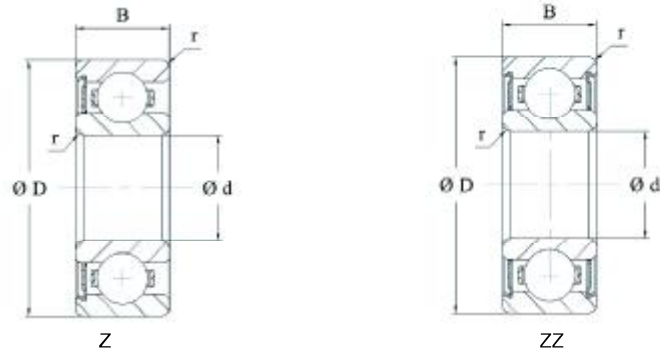


HMEC



| Shaft diameter | Dimensions | | | | Load rating | | Limiting speed | Code bearing | Mass |
|----------------|------------|----|---|------------------|-------------|-------------------|----------------|-----------------|-------|
| | d | D | B | r _{min} | dyn. C | stat. Co | | | |
| | mm | | | | kN | min ⁻¹ | | | |
| 7 | 7 | 19 | 6 | 0.3 | 2.55 | 1.04 | 22000 | 607.2RS | 0.007 |
| | 7 | 22 | 7 | 0.3 | 3.25 | 1.37 | 36000 | 627 | 0.011 |
| | 7 | 22 | 7 | 0.3 | 3.25 | 1.37 | 30000 | 627.ZZ | 0.012 |
| | 7 | 22 | 7 | 0.3 | 3.25 | 1.37 | 20000 | 627.2RS | 0.011 |
| 8 | 8 | 22 | 7 | 0.3 | 3.25 | 1.37 | 36000 | 608 | 0.01 |
| | 8 | 22 | 7 | 0.3 | 3.25 | 1.37 | 30000 | 608.ZZ | 0.011 |
| | 8 | 22 | 7 | 0.3 | 3.25 | 1.37 | 20000 | 608.2RS | 0.01 |
| 9 | 9 | 24 | 7 | 0.3 | 3.65 | 1.63 | 36000 | 609 | 0.015 |
| | 9 | 24 | 7 | 0.3 | 3.65 | 1.63 | 30000 | 609.ZZ | 0.016 |
| | 9 | 24 | 7 | 0.3 | 3.65 | 1.63 | 20000 | 609.2RS | 0.015 |
| | 9 | 26 | 8 | 0.3 | 4.55 | 1.96 | 34000 | 629 | 0.02 |
| | 9 | 26 | 8 | 0.3 | 4.55 | 1.96 | 28000 | 629.ZZ | 0.021 |
| | 9 | 26 | 8 | 0.3 | 4.55 | 1.96 | 19000 | 629.2RS | 0.021 |
| 10 | 10 | 19 | 5 | 0.3 | 1.72 | 0.84 | 40000 | 6800 | 0.005 |
| | 10 | 19 | 5 | 0.3 | 1.72 | 0.84 | 34000 | 6800.ZZ | 0.005 |
| | 10 | 19 | 5 | 0.3 | 1.72 | 0.84 | 24000 | 6800.2RS | 0.005 |
| | 10 | 22 | 6 | 0.3 | 2.70 | 1.27 | 38000 | 6900 | 0.009 |
| | 10 | 22 | 6 | 0.3 | 2.70 | 1.27 | 32000 | 6900.ZZ | 0.009 |
| | 10 | 22 | 6 | 0.3 | 2.70 | 1.27 | 22000 | 6900.2RS | 0.009 |