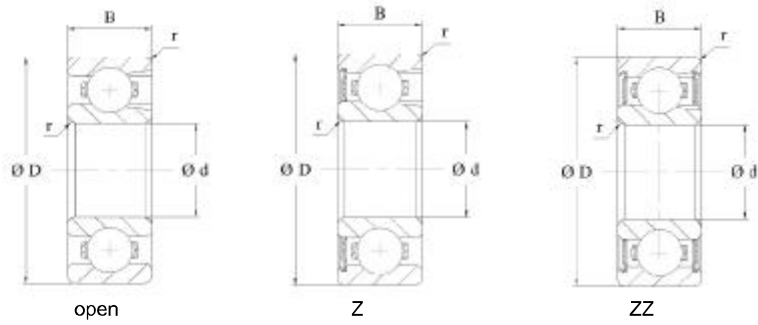


HMEC



Shaft diameter	Dimensions				Load rating		Limiting speed	Code bearing HMEC	Mass ≈
	d	D	B	r ⁽¹⁾ _{min}	dyn. C	stat. Co			
	mm				kN		min ⁻¹	kg	
70	70	125	24	1.5	81.50	66.00	6300	BL214	1.19
	70	150	35	2.1	136.00	102.00	5300	BL314	2.87
75	75	130	25	1.5	85.00	72.00	5600	BL215	1.29
	75	160	37	2.1	149.00	116.00	5000	BL315	3.43
80	80	140	26	2	99.50	85.00	5300	BL216	1.61
	80	170	39	2.1	161.00	130.00	4800	BL316	4.08
85	85	150	28	2	110.00	93.00	5000	BL217	1.97
	85	180	41	3	174.00	145.00	4500	BL317	4.77
90	90	160	30	2	126.00	107.00	4300	BL218	2.43
	90	190	43	3	187.00	161.00	4300	BL318	5.44
95	95	170	32	2.1	143.00	123.00	4500	BL219	2.95
	95	200	45	3	200.00	178.00	3600	BL319	6.4