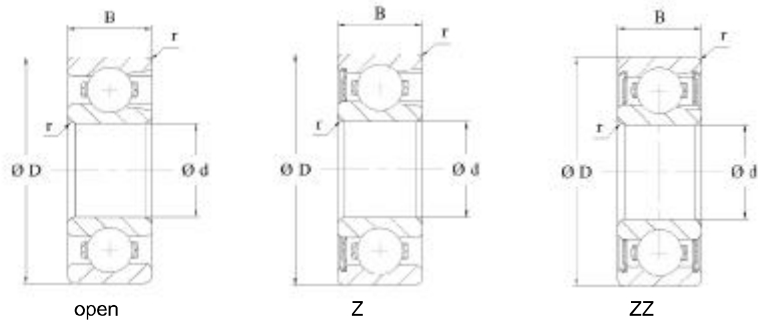


## Full complement ball bearings

Series **BL2...**  
**BL3...**



Shaft diameter	Dimensions				Load rating		Limiting speed	Code bearing	Mass
	d	D	B	$r_{\min}^{(1)}$	dyn. C	stat. Co	oil	HMEC	≈
	mm				kN		$\text{min}^{-1}$		kg
25	25	52	15	1	17.00	10.50	15000	<b>BL205</b>	0.134
	25	62	17	1.1	25.40	15.50	13000	<b>BL305</b>	0.246
30	30	62	16	1	24.90	16.30	13000	<b>BL206</b>	0.215
	30	72	19	1.1	33.00	20.70	12000	<b>BL306</b>	0.364
35	35	72	17	1.1	33.00	22.10	11000	<b>BL207</b>	0.307
	35	80	21	1.5	44.00	29.10	10000	<b>BL307</b>	0.486
40	40	80	18	1.1	41.50	28.80	10000	<b>BL208</b>	0.394
	40	90	23	1.5	55.00	36.00	9000	<b>BL308</b>	0.685
45	45	85	19	1.1	44.00	32.00	9000	<b>BL209</b>	0.449
	45	100	25	1.5	65.50	44.00	8000	<b>BL309</b>	0.883
50	50	90	20	1.1	46.00	35.00	8500	<b>BL210</b>	0.504
	50	110	27	2	76.50	52.50	7500	<b>BL310</b>	1.14
55	55	100	21	1.5	57.00	44.00	7500	<b>BL211</b>	0.667
	55	120	29	2	88.50	61.50	6700	<b>BL311</b>	1.49
60	60	110	22	1.5	68.50	54.00	7100	<b>BL212</b>	0.856
	60	130	31	2.1	101.00	71.50	6300	<b>BL312</b>	1.88
65	65	120	23	1.5	75.00	60.00	6300	<b>BL213</b>	1.09
	65	140	33	2.1	121.00	89.50	6000	<b>BL313</b>	2.36