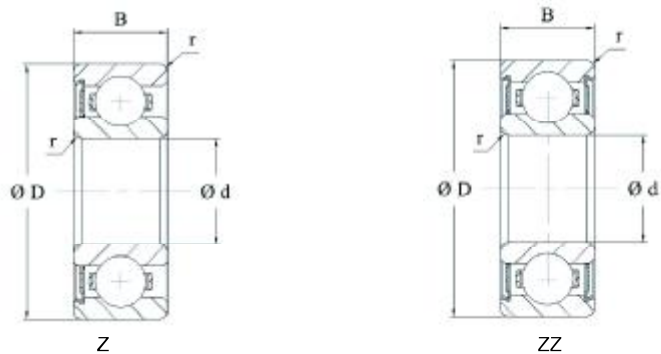


HMEC



Shaft diameter	Dimensions				Load rating		Limiting speed	Code bearing	Mass
	d	D	B	r _{min}	dyn. C	stat. Co			
	mm				kN		min ⁻¹	HMEC	≈
									kg
140	140	175	18	1.1	38.50	48.00	4000	6828	0.832
	140	175	18	1.1	38.50	48.00	3400	6828.ZZ	0.832
	140	190	24	1.5	66.50	72.00	3800	6928	1.67
	140	190	24	1.5	66.50	72.00	3200	6928.ZZ	1.67
	140	210	22	1.1	80	86.5	7000	16028	2.55
	140	210	33	2	108	108	6700	6028	3.57
	140	210	33	2	108	108	2800	6028.ZZ	3.65