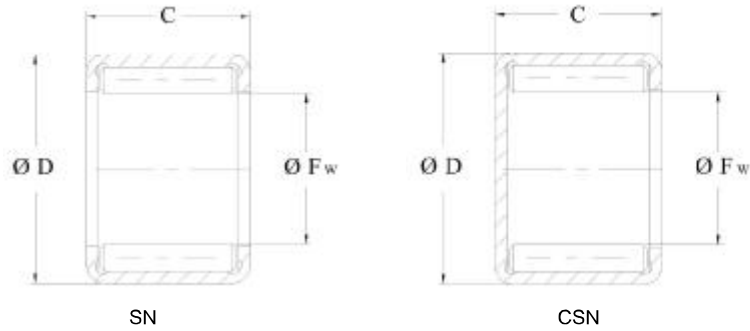


HMEC



Shaft diameter	Dimensions			Basic Load Rating		Limiting speeds min ⁻¹	Code bearing HMEC	
	Fw	D	C	Dyn Cr	Stat. Cor		Open end	Closed end
	mm			N				
6.35	6.350	11.112	7.938	4350	4900	10000	SN45	CSN45
7.938	7.938	12.700	7.938	5600	6200	8300	SN55	CSN55
	7.938	12.700	9.525	6800	8000	8300	SN56	CSN56
	7.938	12.700	11.113	6200	5800	8300	SN57	CSN57
9.525	9.525	14.288	7.938	6200	7400	7100	SN65	CSN65
	9.525	14.288	9.525	6800	8300	7100	SN66	CSN66
	9.525	14.288	12.700	7700	9700	7100	SN68	CSN68
11.112	11.112	15.875	9.525	7600	11000	6300	SN76	CSN76
	11.112	15.875	12.700	9900	16000	6300	SN78	CSN78
12.700	12.700	17.462	12.700	11800	18400	5600	SN88	CSN88
	12.700	17.462	15.875	12900	23600	5600	SN810	CSN810
	12.700	17.462	19.050	15900	29500	5600	SN812	CSN812
15.875	15.875	20.638	7.938	6400	6700	4550	SN105	CSN105
17.462	17.462	22.225	9.525	9300	17100	4200	SN116	CSN116
19.050	19.050	25.400	12.700	15000	25000	3750	SN128	CSN128
22.225	22.225	28.575	12.700	17400	31500	3250	SN148	CSN148
28.575	28.575	34.925	25.400	36500	90000	2600	SN1816	CSN1816