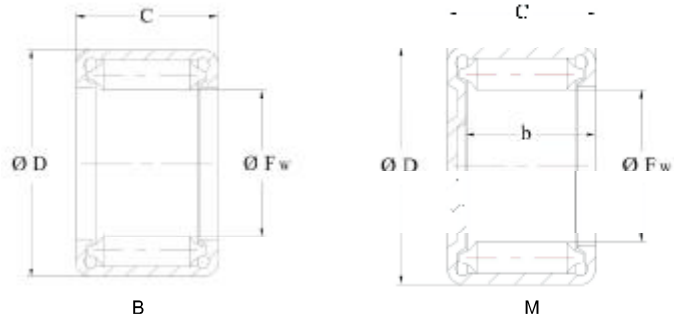


**Drawn cup full complement needle roller bearings(imperial sizes)**

**Series B  
M**



Shaft diameter	Dimensions			Basic Load Rating		Limiting speeds min <sup>-1</sup>	Code bearing HMEC	
	Fw	D	C	Dyn Cr	Sta. Cor		Open end	Close end
	mm			N				
47.62	47.62	57.15	25.40	12400	28600	3500	<b>B-3016</b>	-
50.80	50.80	60.32	12.70	5490	10300	3300	<b>B-328</b>	-
	50.80	60.32	25.40	12700	30500	3300	<b>B-3216</b>	<b>M-32161</b>
	50.80	60.32	31.75	15900	40600	3300	<b>B-3220</b>	-
	50.80	60.32	44.45	21800	60700	3300	<b>B-3228</b>	<b>M-32281</b>
52.39	52.39	64.29	19.05	10100	19000	4000	<b>BH-3312</b>	-
	52.39	64.29	25.40	14200	29400	4000	<b>BH-3316</b>	-
53.98	53.98	63.50	12.70	5650	11000	3100	<b>B-348</b>	-
	53.98	63.50	25.40	13100	32400	3100	<b>B-3416</b>	-
	53.98	63.50	38.10	19500	53900	3100	<b>B-3424</b>	-
57.15	57.15	66.68	19.05	10100	12000	3000	<b>B-3612</b>	-
	57.15	66.68	31.75	17300	23800	3000	<b>B-3620</b>	-
	57.15	66.68	38.10	20500	29700	3000	<b>B-3624</b>	-
66.68	66.68	76.20	25.40	14800	20600	2500	<b>B-4216</b>	<b>M-42161</b>
69.85	69.85	79.38	15.88	8980	10900	2500	<b>B-4410</b>	-
	69.85	79.38	25.40	15300	21600	2500	<b>B-4416</b>	-
	69.85	79.38	31.75	19000	28700	2500	<b>B-4420</b>	-