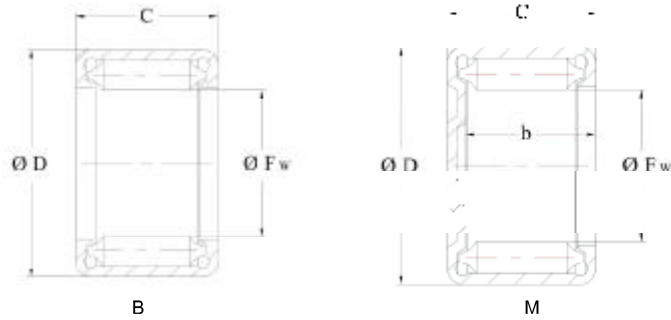


HMEC



| Shaft diameter | Dimensions | | | Basic Load Rating | | Limiting speeds min ⁻¹ | Code bearing HMEC | |
|----------------|------------|-------|-------|-------------------|----------|--------------------------------------|-------------------|----------------|
| | Fw | D | C | Dyn Cr | Sta. Cor | | Open end | Close end |
| | mm | | | N | | | | |
| 34.92 | 34.92 | 41.28 | 25.40 | 8950 | 22700 | 3200 | B-2216 | - |
| | 34.92 | 41.28 | 31.75 | 11000 | 29600 | 4700 | B-2220 | - |
| | 34.92 | 44.45 | 15.88 | 6240 | 10600 | 4700 | BH-2210 | - |
| | 34.92 | 44.45 | 31.75 | 7770 | 14100 | 4700 | BH-2212 | - |
| | 34.92 | 44.45 | 12.70 | 10600 | 20900 | 4700 | BH-2216 | - |
| | 34.92 | 44.45 | 19.05 | 13200 | 28000 | 4300 | BH-2220 | - |
| 38.10 | 38.10 | 47.62 | 25.40 | 4780 | 7830 | 4300 | B-248 | - |
| | 38.10 | 47.62 | 31.75 | 6500 | 11600 | 4300 | B-2410 | - |
| | 38.10 | 47.62 | 15.88 | 8090 | 15400 | 4300 | B-2412 | - |
| | 38.10 | 47.62 | 19.05 | 9590 | 19200 | 4300 | B-2414 | - |
| | 38.10 | 47.62 | 25.40 | 11000 | 22800 | 4300 | B-2416 | M-24161 |
| | 38.10 | 47.62 | 31.75 | 13800 | 30500 | 3900 | B-2420 | M-24201 |
| 41.28 | 41.28 | 50.80 | 12.70 | 4920 | 8390 | 3900 | B-268 | - |
| | 41.28 | 50.80 | 15.88 | 6710 | 12540 | 3900 | B-2610 | - |
| | 41.28 | 50.80 | 25.40 | 11400 | 24800 | 3900 | B-2616 | - |
| | 41.28 | 50.80 | 31.75 | 14300 | 33000 | 3900 | B-2620 | - |
| 44.45 | 44.45 | 53.98 | 19.05 | 8660 | 17900 | 3700 | B-2812 | - |
| | 44.45 | 53.98 | 25.40 | 11800 | 26700 | 3700 | B-2816 | M-28161 |
| | 44.45 | 53.98 | 31.75 | 14800 | 35500 | 3700 | B-2820 | - |
| | 44.45 | 53.98 | 38.10 | 17600 | 44300 | 3700 | B-2824 | - |
| 47.62 | 47.62 | 57.15 | 12.70 | 5380 | 9790 | 3500 | B-308 | - |
| | 47.62 | 57.15 | 19.05 | 9100 | 19210 | 3500 | B-3012 | - |