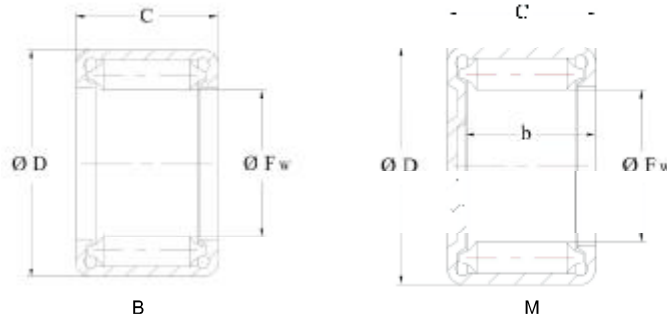


Drawn cup full complement needle roller bearings(imperial sizes)

Series B
M



| Shaft diameter | Dimensions | | | Basic Load Rating | | Limiting speeds min ⁻¹ | Code bearing HMEC | |
|----------------|------------|-------|-------|-------------------|----------|--------------------------------------|-------------------|-----------------|
| | Fw | D | C | Dyn Cr | Sta. Cor | | Open end | Close end |
| | mm | | | N | | | | |
| 28.58 | 28.58 | 34.92 | 9.52 | 2610 | 4350 | 3800 | B-186 | - |
| | 28.58 | 34.92 | 12.70 | 3850 | 7190 | 3800 | B-188 | - |
| | 28.58 | 34.92 | 19.05 | 6060 | 12900 | 3800 | B-1812 | - |
| | 28.58 | 34.92 | 25.40 | 8050 | 18500 | 3800 | B-1816 | M-18161 |
| | 28.58 | 38.10 | 19.05 | 6920 | 11500 | 5500 | BH-1812 | - |
| | 28.58 | 38.10 | 25.40 | 9420 | 17100 | 5500 | BH-1816 | - |
| | 28.58 | 38.10 | 31.75 | 11800 | 22900 | 5500 | BH-1820 | - |
| 30.16 | 30.16 | 38.10 | 25.40 | 8860 | 18500 | 4400 | B-1916 | - |
| 31.75 | 31.75 | 38.10 | 12.70 | 4080 | 7990 | 3500 | B-208 | - |
| | 31.75 | 38.10 | 15.88 | 5280 | 11100 | 3500 | B-2010 | - |
| | 31.75 | 38.10 | 19.05 | 6410 | 14300 | 3500 | B-2012 | - |
| | 31.75 | 38.10 | 25.40 | 8510 | 20600 | 3500 | B-2016 | M-20161 |
| | 31.75 | 38.10 | 31.75 | 10500 | 26900 | 3500 | B-2020 | M-20201 |
| | 31.75 | 41.28 | 12.70 | 4200 | 6320 | 5000 | BH-208 | - |
| | 31.75 | 41.28 | 19.05 | 7250 | 12700 | 5000 | BH-2012 | - |
| | 31.75 | 41.28 | 25.40 | 9910 | 19000 | 5000 | BH-2016 | MH-20161 |
| | 31.75 | 41.28 | 31.75 | 12400 | 25400 | 5000 | BH-2020 | MH-20201 |
| 33.34 | 33.34 | 41.28 | 12.70 | 4180 | 7220 | 4000 | B-218 | - |
| | 33.34 | 41.28 | 15.88 | 5600 | 10500 | 4000 | B-2110 | - |
| | 33.34 | 41.28 | 31.75 | 11700 | 27200 | 4000 | B-2120 | - |
| 34.92 | 34.92 | 41.28 | 12.70 | 4280 | 8790 | 3200 | B-228 | - |
| | 34.92 | 41.28 | 19.05 | 6730 | 15700 | 3200 | B-2112 | - |