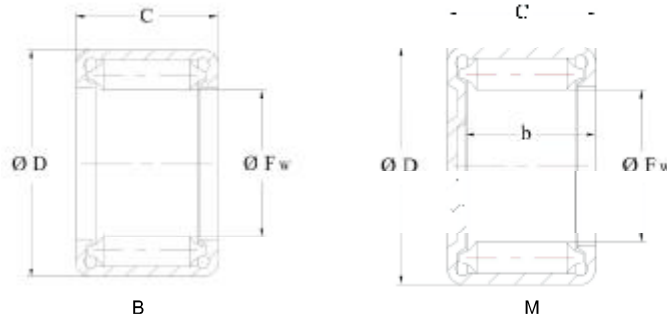


**Drawn cup full complement needle roller bearings(imperial sizes)**

**Series B  
M**



Shaft diameter	Dimensions			Basic Load Rating		Limiting speeds min <sup>-1</sup>	Code bearing HMEC	
	Fw	D	C	Dyn Cr	Sta. Cor		Open end	Close end
	mm			N				
15.88	15.88	22.22	12.70	2790	3980	6200	<b>BH-108</b>	<b>MH-1081</b>
	15.88	22.22	15.88	3620	5530	6200	<b>BH-1010</b>	-
	15.88	22.22	19.05	4390	7130	6200	<b>BH-1012</b>	-
	15.88	22.22	25.40	5830	10300	6200	<b>BH-1016</b>	-
17.46	17.46	22.22	9.52	1790	3030	4200	<b>B-116</b>	-
	17.46	22.22	12.70	2540	4770	4200	<b>B-118</b>	-
	17.46	22.22	15.88	3230	6500	4200	<b>B-1110</b>	<b>M11101</b>
	17.46	22.22	19.05	3880	8230	4200	<b>B-1112</b>	<b>M-11121</b>
	17.46	22.22	11.11	2480	3510	5700	<b>BH-117</b>	-
	17.46	23.81	15.88	3820	6110	5700	<b>BH-1110</b>	<b>MH-11101</b>
	17.46	23.81	19.05	4640	7840	5700	<b>BH-1112</b>	-
19.05	19.05	25.40	9.52	2100	2900	5500	<b>B-126</b>	-
	19.05	25.40	12.70	3100	4790	5500	<b>B-128</b>	<b>M-1281</b>
	19.05	25.40	15.88	4010	6670	5500	<b>B-1210</b>	<b>M-12101</b>
	19.05	25.40	19.05	1870	8560	5500	<b>B-1212</b>	<b>M-12121</b>
20.64	20.64	26.99	9.52	2190	3140	5200	<b>B-136</b>	-
	20.64	26.99	12.70	3240	5190	5200	<b>B-138</b>	<b>M-1381</b>
	20.64	26.99	22.22	5940	11300	5200	<b>B-1314</b>	-
	20.64	26.99	25.40	6760	13400	5200	<b>B-1316</b>	<b>M-13161</b>
	20.64	28.58	15.88	4320	6510	6200	<b>BH-1310</b>	-
	20.64	28.58	19.05	5340	8550	6200	<b>BH-1312</b>	-