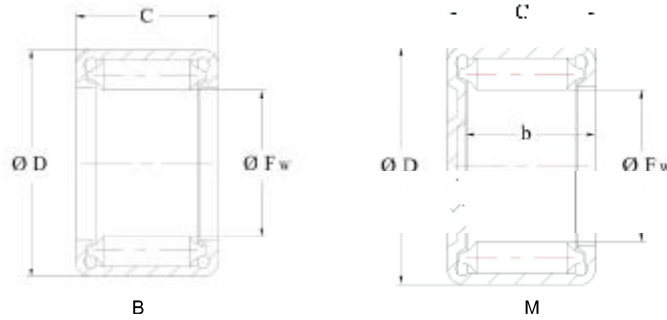


Drawn cup full complement needle roller bearings(imperial sizes)

Series B
M



Shaft diameter	Dimensions			Basic Load Rating		Limiting speeds min ⁻¹	Code bearing HMEC	
	Fw	D	C	Dyn Cr	Sta. Cor		Open end	Close end
	mm			N				
6.35	6.35	11.11	6.35	566	531	10000	B-44	M-441
	6.35	11.11	7.94	768	786	10000	B-45	M-451
	6.35	11.11	11.11	1210	1410	10000	B-47	M-471
7.94	7.94	12.70	7.94	833	985	8300	B-55	M-551
	7.94	12.70	9.52	1140	1370	8300	B-56	-
	7.94	12.70	11.11	1390	1770	8300	B-57	M-571
	7.94	12.70	14.29	1850	2550	8300	B-59	-
	7.94	14.29	11.11	1530	1590	11000	BH-57	-
	7.94	14.29	14.29	2080	2340	11000	BH-59	-
9.52	9.52	14.29	7.94	984	1180	7100	B-65	M-651
	9.52	14.29	9.52	1280	1650	7100	B-66	M-661
	9.52	14.29	11.11	1550	2120	7100	B-67	-
	9.52	14.29	12.70	1810	2590	7100	B-68	M-681
	9.52	14.29	14.29	2070	3070	7100	B-69	-
	9.52	14.29	15.88	2310	3530	7100	B-610	M-6101
	9.52	15.88	12.70	2050	2380	9400	BH-68	-
11.11	11.11	15.88	9.52	1390	1930	6300	B-76	-
	11.11	15.88	11.11	1700	2480	6300	B-77	-
	11.11	15.88	12.70	1980	3030	6300	B-78	M-781
	11.11	15.88	15.88	2520	4130	6300	B-710	-
	11.11	17.46	12.70	2260	2780	8300	BH-78	-