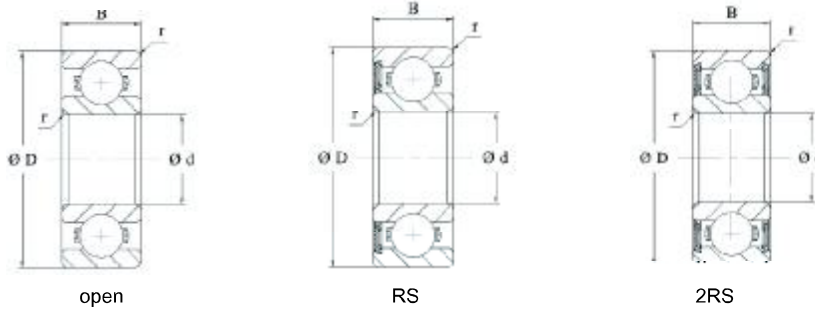


**Deep groove ball bearings
(metric sizes)**



Shaft diameter	Dimensions				Load rating		Limiting speed min ⁻¹	Code bearing HMEC	Mass kg
	d	D	B	r _{s min}	dyn. C	stat. Co			
	mm				kN				
3	3	10	4	0.15	0.64	0.22	53000	623	0.001
	3	10	4	0.15	0.64	0.22	45000	623.ZZ	0.001
	3	10	4	0.15	0.64	0.22	32000	623.2RS	0.001
4	4	13	5	0.2	1.29	0.49	45000	624	0.003
	4	13	5	0.2	1.29	0.49	38000	624.ZZ	0.004
	4	13	5	0.2	1.29	0.49	26000	624.2RS	0.003
	4	16	5	0.3	1.73	0.67	43000	634	0.006
	4	16	5	0.3	1.73	0.67	36000	634.ZZ	0.006
	4	16	5	0.3	1.73	0.67	24000	634.2RS	0.006
5	5	16	5	0.3	1.32	0.44	43000	625	0.005
	5	16	5	0.3	1.32	0.44	36000	625.ZZ	0.005
	5	16	5	0.3	1.32	0.44	24000	625.2RS	0.005
	5	19	6	0.3	2.55	1.04	38000	635	0.008
	5	19	6	0.3	2.55	1.04	32000	635.ZZ	0.009
	5	19	6	0.3	2.55	1.04	22000	635.2RS	0.008
6	6	19	6	0.3	2.55	1.04	38000	626	0.008
	6	19	6	0.3	2.55	1.04	32000	626.ZZ	0.009
	6	19	6	0.3	2.55	1.04	22000	626.2RS	0.008
7	7	19	6	0.3	2.55	1.04	38000	607	0.007
	7	19	6	0.3	2.55	1.04	32000	607.ZZ	0.008