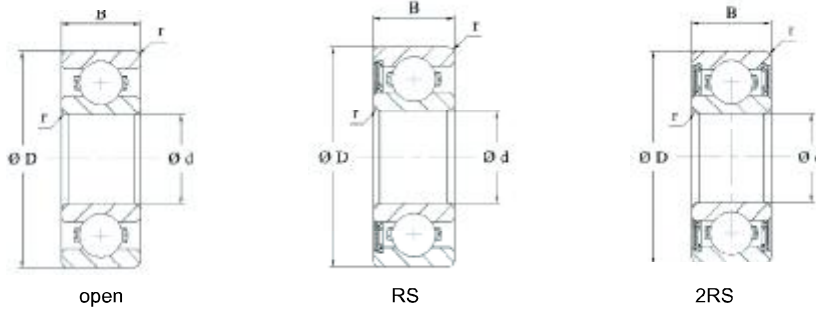


**Deep groove ball bearings
(metric sizes)**



Shaft diameter	Dimensions				Load rating		Limiting speed min ⁻¹	Code bearing HMEC	Mass ≈ kg	
	d	D	B	r _{s min}	dyn. C	stat. Co				
	mm									kN
80	80	140	26	2	72	53	11000	6216	1.46	
	80	140	26	2	72	53	4500	6216.ZZ	1.49	
	80	40	26	2	72	53	3000	6216.2RS	1.49	
	80	170	39	2.1	122	86.5	9000	6316	3.75	
	80	70	39	2.1	122	86.5	3800	6316.ZZ	3.82	
	80	200	48	3	162	125	7500	6416M	8.29	
	85	85	110	13	1	18.70	20.00	6700	6817	0.263
		85	110	13	1	18.70	20.00	5600	6817.ZZ	0.263
		85	120	18	1.1	32.00	29.60	6300	6917	0.550
		85	120	18	1.1	32.00	29.60	5300	6917.ZZ	0.550
85		130	14	0.6	34	33.5	12000	16017	0.666	
85		130	22	1.1	49	43	11000	6017	0.916	
85		130	22	1.1	49	43	4800	6017.ZZ	0.939	
85		150	28	2	83	64	10000	6217	1.87	
85		150	28	2	83	64	4300	6217.ZZ	1.91	
85		180	41	3	132	96.5	8000	6317	4.25	
85		180	41	3	132	96.5	3400	6317.ZZ	4.33	
85		210	52	4	173	137	7000	6417M	9.58	