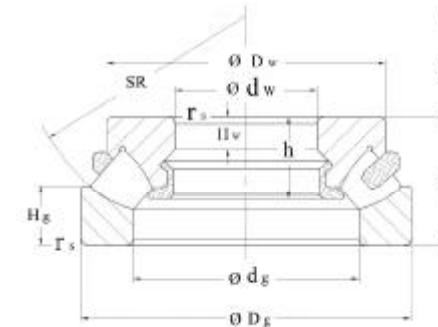


## Spherical Roller Thrust Bearings

HMEC



293..EMB  
294..EMB

Shaft diameter	Dimensions									
	d <sub>w</sub>	d <sub>g</sub>	D <sub>w</sub>	D <sub>g</sub>	H	H <sub>g</sub>	H <sub>w</sub>	W	r <sub>s</sub> min	A
	mm									
120	120	158	190	210	54	26	19	50	2.1	70
	120	172	220	250	78	37	28	72	4	74
130	130	169	205	225	58	28	21	54	2.1	76
	130	187	240	270	85	41	31	54	4	81
140	140	181	220	240	60	29	22	56	2.1	82
	140	194	250	280	85	41	31	80	4	86
150	150	192	230	250	60	29	22	56	2.1	87
	150	211	270	300	90	44	32	85	4	92
160	160	206	245	270	67	32	24	64	3	92
	160	224	285	320	95	45	34	90	5	99
170	170	215	255	280	67	32	24	64	3	96
	170	239	305	340	103	50	37	98	5	104
180	180	230	275	300	73	35	26	70	3	103
	180	253	320	360	109	52	39	105	5	110
190	190	243	295	320	78	38	28	75	4	110
	190	268	340	380	115	55	41	110	5	117

Load ratings		Limiting Speed	Reference Speed	Code Bearing	Mass
dyn. C	stat. Co				
kN		min <sup>-1</sup>		HMEC	≈
					kg
640	2080	2400	2600	<b>29324EMB</b>	6.9
1120	3350	1800	2200	<b>29424EMB</b>	16.3
720	2360	2200	2400	<b>29326EMB</b>	8.49
1250	3900	1700	2000	<b>29426EMB</b>	12.9
800	2700	2000	2200	<b>29328EMB</b>	9.87
1290	4050	1700	2000	<b>29428EMB</b>	21.9
815	2850	2000	2000	<b>29330EMB</b>	10.5
1460	4800	1500	1800	<b>29430EMB</b>	26.9
965	3350	2000	1900	<b>29332EMB</b>	13.6
1660	5300	1400	1700	<b>29432EMB</b>	31.6
1000	3450	1800	1900	<b>29334EMB</b>	14.2
1860	6000	1300	1600	<b>29434EMB</b>	39.2
1180	4150	1700	1700	<b>29336EMB</b>	18.1
2080	6800	1300	1400	<b>29436EMB</b>	46.2
1320	4650	1500	1600	<b>29338EMB</b>	22.8
2320	7500	1200	1400	<b>29438EMB</b>	54.9