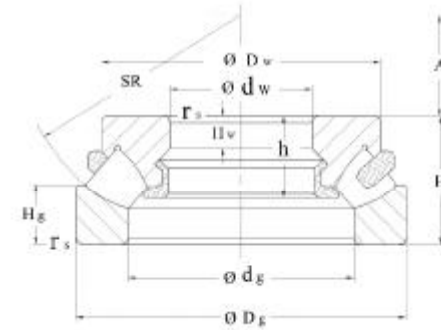


Spherical Roller Thrust Bearings

HMEC



293..EMB
294..EMB

Shaft diameter	Dimensions									
	d_w	d_g	D_w	D_g	H	H_g	H_w	h	r_s min	A
	mm									
60	60	88	115	130	42	20	15	39	1.5	38
65	65	94	125	140	45	21	16	42	2	42
70	70	102	135	150	48	23	17	45	2	44
75	75	108	140	160	51	24	18	48	2	47
80	80	116	150	170	54	26	19	51	2.1	50
85	85	111	135	150	39	19	14	37	1.5	50
	85	123	160	180	58	28	21	55	2.1	54
90	90	115	140	155	39	19	14	37	1.5	52
	90	130	170	190	60	29	22	57	2.1	56
100	100	129	155	170	42	20.8	15	39	1.5	58
	100	142	185	210	67	32	24	64	3	62
110	110	142	175	190	48	23	17	45	2	64
	110	158	205	230	73	35	26	69	3	69

Load ratings		Limiting Speed	Reference Speed	Code Bearing	Mass
dyn. C	stat. Co				
kN		min ⁻¹		HMEC	≈
					kg
335	900	3600	4800	29412EMB	2.4
380	1020	3400	4500	29413EMB	3.03
430	1200	3000	4000	29414EMB	3.71
490	1370	2800	3600	29415EMB	4.4
550	1560	2800	3400	29416EMB	5.28
345	1060	3400	3800	29317EMB	2.54
600	1730	2600	3200	29417EMB	5.89
355	1100	3400	3600	29318EMB	2.65
670	1930	2400	3000	29418EMB	7.38
415	1370	3000	3200	29320EMB	3.38
830	2450	2200	2600	29420EMB	10
530	1700	2600	3000	29322EMB	5.04
950	2800	2000	2400	29422EMB	13.1