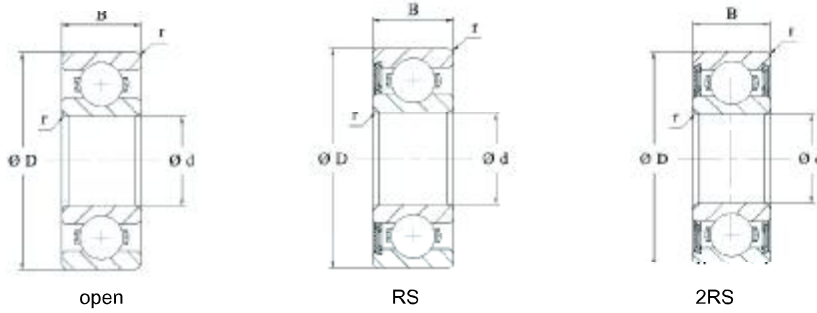


**Deep groove ball bearings
(metric sizes)**



Shaft diameter	Dimensions				Load rating		Limiting speed	Code bearing	Mass
	d	D	B	$r_{s \min}$	dyn. C	stat. Co			
	mm				kN		min^{-1}	HMEC	≈ kg
65	65	160	37	2.1	114	76.5	9500	6413	3.49
70	70	90	10	0.6	12.10	12.70	8000	6814	0.134
	70	90	10	0.6	12.10	12.70	6700	6814.ZZ	0.134
	70	90	10	0.6	12.10	12.70		6814.2RS	0.134
	70	100	16	1	23.70	21.20	7500	6914	0.349
	70	100	16	1	23.70	21.20	6300	6914.ZZ	0.349
	70	100	16	1	23.70	21.20	3600	6914.2RS	0.349
	70	110	13	0.6	28	25	14000	16014	0.438
	70	110	20	1.1	38	31	14000	6014	0.622
	70	110	20	1.1	38	31	6000	6014.ZZ	0.642
	70	110	20	1.1	38	31	4000	6014.2RS	0.64
	70	125	24	1.5	62	44	12000	6214	1.09
	70	125	24	1.5	62	44	5000	6214.ZZ	1.11
	70	125	24	1.5	62	44	3400	6214.2RS	1.11
	70	150	35	2.1	104	68	10000	6314	2.61
	70	150	35	2.1	104	68	4300	6314.ZZ	2.66
70	150	35	2.1	104	68	2800	6314.2RS	2.66	
70	180	42	3	132	96.5	8500	6414	5.06	
75	75	95	10	0.6	12.50	13.90	7500	6815	0.149
	75	95	10	0.6	12.50	13.90	6300	6815.ZZ	0.149