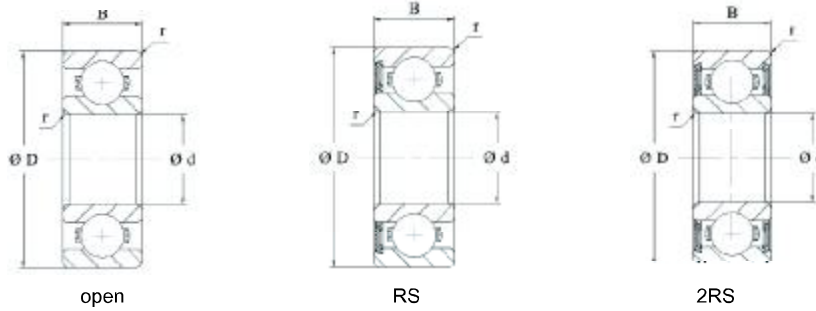


**Deep groove ball bearings
(metric sizes)**



Shaft diameter	Dimensions				Load rating		Limiting speed	Code bearing	Mass	
	d	D	B	$r_{s\ min}$	dyn. C	stat. Co				
	mm				kN		min^{-1}		kg	
55	55	90	18	1.1	28.5	21.2	7500	6011.ZZ	0.408	
	55	90	18	1.1	28.5	21.2	5000	6011.2RS	0.41	
	55	100	21	1.5	43	29	16000	6211	0.616	
	55	100	21	1.5	43	29	6700	6211.ZZ	0.632	
	55	100	21	1.5	43	29	4300	6211.2RS	0.632	
	55	120	29	2	76.5	47.5	13000	6311	1.39	
	55	120	29	2	76.5	47.5	5300	6311.ZZ	1.43	
	55	120	29	2	76.5	47.5	3600	6311.2RS	1.43	
	55	140	33	2.1	93	60	11000	6411	1.38	
	60	60	78	10	0.3	11.50	10.90	9500	6812	0.103
		60	78	10	0.3	11.50	10.90	8000	6812.ZZ	0.103
		60	78	10	0.3	11.50	10.90	4500	6812.2RS	0.103
60		85	13	1	19.40	16.30	9000	6912	0.192	
60		85	13	1	19.40	16.30	7500	6912.ZZ	0.192	
60		85	13	1	19.40	16.30	4300	6912.2RS	0.192	
60		95	11	0.6	20	17.6	17000	16012	0.283	
60		95	18	1.1	29	23.2	17000	6012	0.419	
60		95	18	1.1	29	23.2	7000	6012.ZZ	0.431	
60		95	18	1.1	29	23.2	4500	6012.2RS	0.432	
60		110	22	1.5	52	36	14000	6212	0.789	
60		110	22	1.5	52	36	6000	6212.ZZ	0.807	