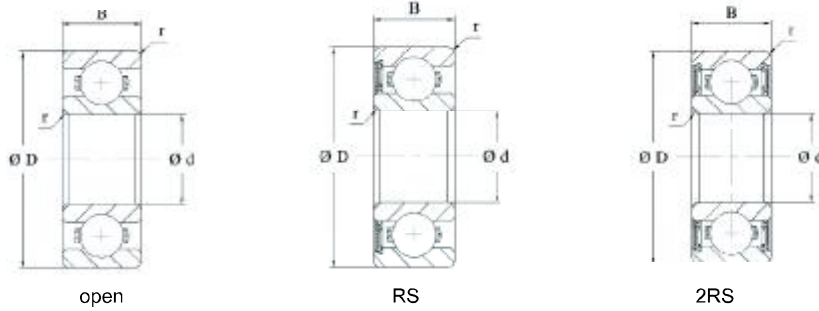


**Deep groove ball bearings
(metric sizes)**



Shaft diameter	Dimensions				Load rating		Limiting speed min ⁻¹	Code bearing HMEC	Mass ≈ kg
	d	D	B	r _{min}	dyn. C	stat. Co			
	mm				kN				
45	45	75	10	0.6	15.6	12.2	22000	16009	0.167
	45	75	16	1	20	14.3	22000	6009	0.247
	45	75	16	1	20	14.3	9000	6009.ZZ	0.253
	45	75	16	1	20	14.3	6000	6009.2RS	0.257
	45	85	19	1.1	31	20.4	19000	6209	0.429
	45	85	19	1.1	31	20.4	8000	6209.ZZ	0.441
	45	85	19	1.1	31	20.4	5300	6209.2RS	0.441
	45	85	23	1.1	31	20.4	5300	62209.2RS	0.522
	45	100	25	1.5	53	31.5	16000	6309	0.847
	45	100	25	1.5	53	31.5	6700	6309.ZZ	0.869
	45	100	25	1.5	53	31.5	4500	6309.2RS	0.867
	45	100	36	1.5	53	31.5	4500	62309.2RS	1.2
	45	120	29	2	76.5	47.5	13000	6409	1.97
	50	50	65	7	0.3	6.40	6.20	11000	6810
50		65	7	0.3	6.40	6.20	9500	6810.ZZ	0.050
50		65	7	0.3	6.40	6.20	5300	6810.2RS	0.050
50		72	12	0.6	14.50	11.70	11000	6910	0.135
50		72	12	0.6	14.50	11.70	9000	6910.ZZ	0.135
50		72	12	0.6	14.50	11.70	5300	6910.2RS	0.135
50		80	10	0.6	16	13.2	20000	16010	0.181