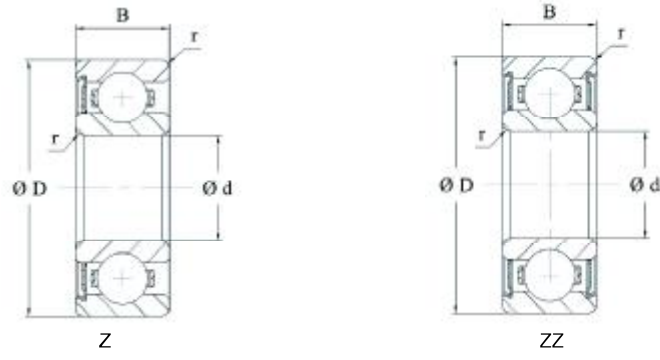


HMEC



Shaft diameter	Dimensions				Load rating		Limiting speed	Code bearing	Mass
	d	D	B	r _{min}	dyn. C	stat. Co			
	mm				kN	min ⁻¹			
								kg	
40	40	62	12	0.6	13.70	10.00	6300	6908.2RS	0.112
	40	68	9	0.3	13.2	10.2	13000	16008	0.12
	40	68	15	1	16.6	11.6	26000	6008	0.194
	40	68	15	1	16.6	11.6	10000	6008.ZZ	0.2
	40	68	15	1	16.6	11.6	6700	6008.2RS	0.202
	40	80	18	1.1	29	18	20000	6208	0.371
	40	80	18	1.1	29	18	8500	6208.ZZ	0.382
	40	80	18	1.1	29	18	5600	6208.2RS	0.384
	40	80	23	1.1	29	18	5600	62208.2RS	0.477
	40	90	23	1.5	42.5	25	18000	6308	0.64
	40	90	23	1.5	42.5	25	7500	6308.ZZ	0.654
	40	90	23	1.5	42.5	25	5000	6308.2RS	0.654
	40	90	33	1.5	42.5	25	5000	62308.2RS	0.903
	40	110	27	2	62	38	14000	6408	1.12
	45	45	58	7	0.3	5.35	5.25	13000	6809
45		58	7	0.3	5.35	5.25	11000	6809.ZZ	0.038
45		58	7	0.3	5.35	5.25	6000	6809.2RS	0.038
45		68	12	0.6	14.10	10.90	12000	6909	0.126
45		68	12	0.6	14.10	10.90	9500	6909.ZZ	0.126
45		68	12	0.6	14.10	10.90	5600	6909.2RS	0.126